

MP10/20 SERIES MOLDBOARD PLOWS

HP REQUIRED
20-60 HP

HITCH
Cat. 1



DIRTWORKING

Ideal for initial cultivation of soil.

Land Pride MP10 and MP20 Moldboard Plows are ideal for small acreage farms or large gardens. These plows are the ideal tool for initial cultivation of soil to prepare for planting or when deeper tillage – more than a field cultivator can provide – is required. Both models are equipped with replaceable 14" shares, shins, and landsides for easy maintenance. The MP10 and MP20 frames feature a 1" x 4" steel trailing arm and cross member, as well as a Cat. 1 3-Point hitch.



	MP10	MP20
Horsepower	2 WD: 20-60 HP 4 WD: 20-50 HP	2 WD: 30-60 HP 4 WD: 30-50 HP
Hitch	3-Point Cat. 1	
Cutting Width	14"	27-1/2"
Working Depth	Max. 7" (Depending on Soil Conditions)	
Weight - lb (kg)	294 (133)	513 (233)
Construction	1" x 4" Bolted Steel Frame	
Park Jack	Standard	N/A
Number of Bottoms	(1) 14" Bottom	(2) 14" Bottoms
Plow Shank Shear Bolt	7/16"-14 x 3" GR8 Share Bolt	
Moldboard & Shin Thickness	5/16"	
Frog & Landslide Thickness	1/2"	
Coulters - Optional	14" Diameter Coulters with Greaseable 1-1/4" Roller Bearings	
Color		



The optional coulters allow for a smoother furrow edge and help reduce slightly the drag on the moldboard.



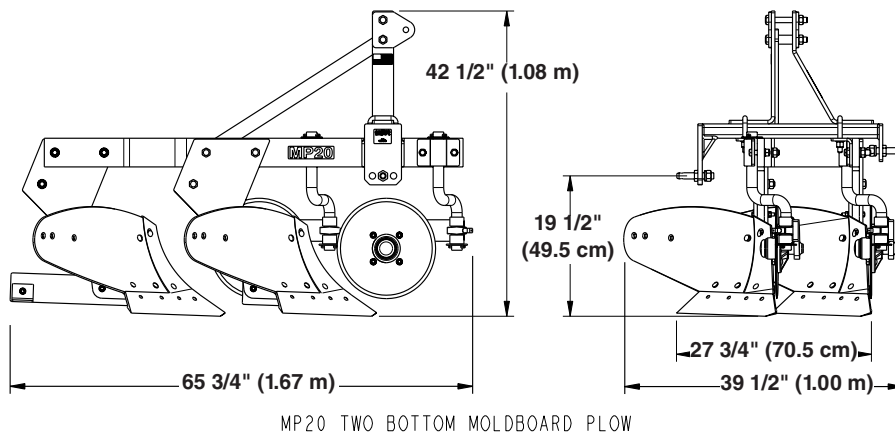
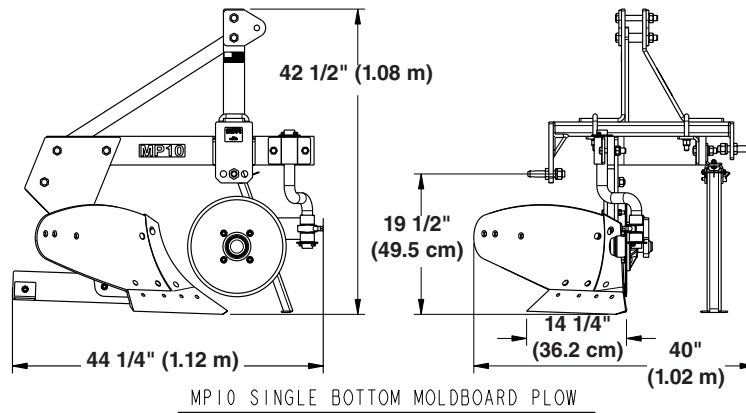
Replaceable shares, shins, and landsides offer easy maintenance.

*See dealer for complete warranty information.

MP10 & MP20

Specifications & Capacities

Model Numbers	MP10	MP20
Horsepower	2 Wheel drive: 20 to 60 hp (14.9-44.7 kw) 4 Wheel drive: 20 to 50 hp (14.9-37.3 kw)	2 Wheel drive: 30 to 60 hp (22.4-44.7 kw) 4 Wheel drive: 30 to 50 hp (22.4-37.3 kw)
Weight	with coulters 342 lbs (155.1 kg) without coulters 300 lbs (136.1 kg)	582 lbs (264.0 kg) 498 lbs (225.9 kg)
Hitch type	3-point Cat. I	3-point Cat. I
Construction	1" x 4" (2.5 cm x 10.2 cm) Bolted steel frame	1" x 4" (2.5 cm x 10.2 cm) Bolted steel frame
Park Jack	Yes	No
Number of bottoms	(1) - 14" (35.6 cm) Bottom	(2) - 14" (35.6 cm) Bottoms
Cutting width	14" (35.6 cm)	27 1/2" (69.9 cm)
Working depth	Max. 7" (17.8 cm) (depending on soil conditions)	Max. 7" (17.8 cm) (depending on soil conditions)
Plow shank shear bolt	7/16"-14 x 3" GR8 share bolt	7/16"-14 x 3" GR8 share bolt
Plow share material	Forged steel	Forged steel
Moldboard & Shin Thickness	5/16" (8 mm)	5/16" (8 mm)
Frog & Landslide Thickness	1/2" (13 mm)	1/2" (13 mm)
Replaceable wear components	1 ea. - Share, moldboard, shin, landslide, and optional coulters	2 ea. - Share, shin, moldboard, landslide, and optional coulters
Optional - Coulters	14" (35.6 cm) Diameter coulters with greasable 1 1/4" (3.2 cm) roller bearings	14" (35.6 cm) Diameter coulters with greasable 1 1/4" (3.2 cm) roller bearings
Accessory - MP Top Link Extension	Yes	Yes



39507