

RBT35 SERIES REAR BLADES

HP REQUIRED
35-80 HP

HITCH
Cat. 1 & 2

DIRTWORKING



The perfect all-around blade.

Our RBT35 Series Blade is just right for use in landscape, construction, farming or snow removal. Looked upon as the perfect all-around blade, the RBT35 Series is offered with optional hydraulic function for tilt, offset and angle.



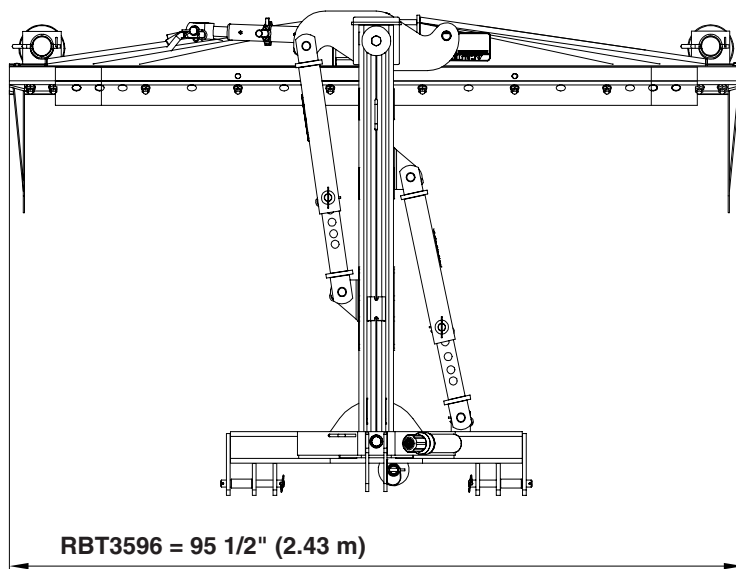
The 3" kingpin on the moldboard is stout enough to hold up to tough tasks.

	RBT3596
Horsepower	2WD: 35-80 HP 4WD: Up to 65 HP
Hitch	Cat. 1 & 2
Working Width (cm)	96" (244)
Weight - lb (kg)	745 (338)
Maximum G.V.W. - lb (kg)	9,500 (4,318)
Blade Angle	9 Positions (Manual): Up to 50° Fwd & Rev (Hydraulic)
Tilt	Up to 20°
Tilt Cylinder	2" x 6" x 1-1/4"
Swing Offset	Up to 30" Left and Right
Offset Cylinder	3-1/2" x 14" x 1-1/4"
Moldboard Height	17"
Moldboard Thickness	5/16" with 3/16" Tapered Reinforcement Channel
Cutting Edge	1/2" x 6", Reversible & Replaceable; Heat Treated
Options	Skid Shoes, End Plates Gauge Wheel, Double Selector Valve, Cushion Valve
Colors	

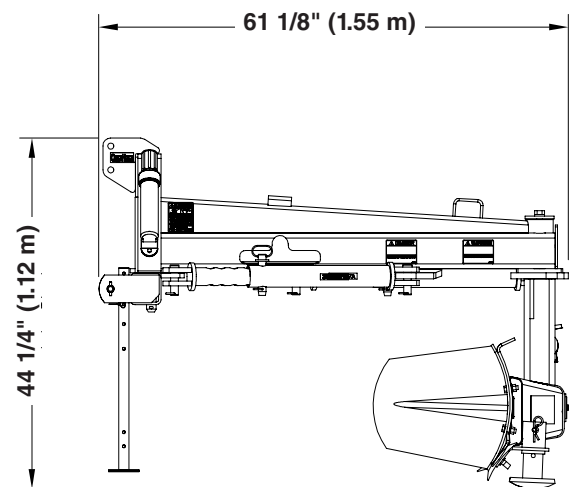
QUICK HITCH
SYSTEM

RBT35 Series Rear Blades

		RBT3596
Blade Width		96" (2.44 m)
Approximate Weight (lbs.) with manual links		745 lbs (337.9 kg)
Maximum Tractor Horsepower		80 horsepower (59.7 kw) for 2 wheel drive 65 horsepower (48.5 kw) for 4 wheel drive
Maximum G.V.W. (lbs.)		9500 lbs (4309.1 kg)
Hitch Type		Cat. 1 & 2 Fits Land Pride Quick Hitch
Blade Angle	Manual Linkage: Hydraulic Cylinder:	With blade facing forward or reversed Up to 40° in 10° increments clockwise and counterclockwise Up to 50 degrees clockwise and counterclockwise
Angle Cylinder		3 1/2" bore x 14" stroke x 1 1/4" rod
Blade Offset	Manual Linkage Hydraulic Cylinder	Up to 30 inches (76.2 cm) left and right in 9 positions (center, 4 left, and 4 right) Up to 30 inches (76.2 cm) left and right
Offset Cylinder		3 1/2" bore x 14" stroke x 1 1/4" rod
Blade Tilt	Manual Ratchet Jack Hydraulic Cylinder	Maximum 20° up and 20° down with blade facing forward or reversed Maximum 20° up and 20° down with blade facing forward or reversed
Tilt Cylinder		2" bore x 6" stroke x 1 1/4" bore
Moldboard King Pin		3" (7.6 cm) diameter
Moldboard Height		17" (43.2 cm) tall
Moldboard Thickness		5/16" (8 mm) reinforced, 3/16" (5 mm) tapered reinforcement channel
Cutting Edge		1/2" x 6" (1.3 cm x 15.2 cm) Heat treated, replaceable & reversible (double bevel)
Mainframe Construction		Fully welded tubular construction
Parking Stand		Retractable
Accessories		Manual or hydraulic single gauge wheel Skid Shoes, End Plates, Hydraulic Selector Valve, and Cushion Valve



Top View



Side View

26808