

GS05/15/25 SERIES GRADING SCRAPERS

HP REQUIRED
17-90 HP

HITCH
Cat. 1 & 2



DIRTWORKING

A low cost alternative for road grading applications.

Land Pride Grading Scrapers simply and quickly move dirt or aggregate from high spots to low spots making them extra user-friendly and a low cost alternative for road grading applications. Simply setting a properly adjusted Grading Scraper on the ground and driving forward enables the operator to grade off high spots and fill in ruts at low spots on unimproved roads and lanes with little or no manipulation of the tractor's 3-Point hitch controls. Unlike a rear blade, they require no adjustment of blade angling or offset positions.



3-Position scarifier shanks allow the scraper to be adjusted to desired amount of calibration and guarding action. Hardened tips assure long service life.



Replaceable and reversible full length skid shoes make for easier operation and long unit life.



Reversible, heat-treated, high-carbon steel grading blades offer excellent wear resistance and long service life.

	GS0560	GS1572	GS2596
Horsepower	17-33 HP	25-50 HP	40-90 HP
Hitch	Cat. 1	Cat. 1	Cat. 1 & 2
Working Width (cm)	60" (152)	72" (184)	96" (244)
Side Panel Thickness	3/16" Thick with 1-1/2" Formed Edges	3/16" Thick with 2-3/4" Formed Edges	1/4" Thick with 2-3/4" Formed Edges
Front Main Beam & Scarifier Support	4" x 3" x 1/4" Reinforced Heavy Wall Tubing; 3" x 2" x 3/16" Heavy Wall Tubing	4" x 4" x 5/16" Reinforced Heavy Wall Tubing; 2" x 2" x 3/16" Heavy Wall Tubing	4" x 4" x 5/16" Reinforced Heavy Wall Tubing; 3" x 3" x 3/16" Heavy Wall Tubing
Skid Shoe Dimensions	1/4" Thick x 1-1/2" Wide x 40" Long	3/8" Thick x 2-3/4" Wide x 44" Long	3/8" Thick x 2-3/4" Wide x 50-1/4" Long
Scarifier Shank Construction	3 Position	Heat Treated 4-Position Shank with Dimpled-on Hardened Tips	
Cutting Edges	3/8" x 6'	Two 1/2" x 6" High Carbon Heat Treated Blades; Reversible & Replaceable	
Cutting Edge Adjustment	Fixed	Infinite Vertical Adjustment from Level Grade to 1-1/2" Below Grade	
Weight - lb (kg)	350 (159)	594 (269)	864 (392)
Colors			

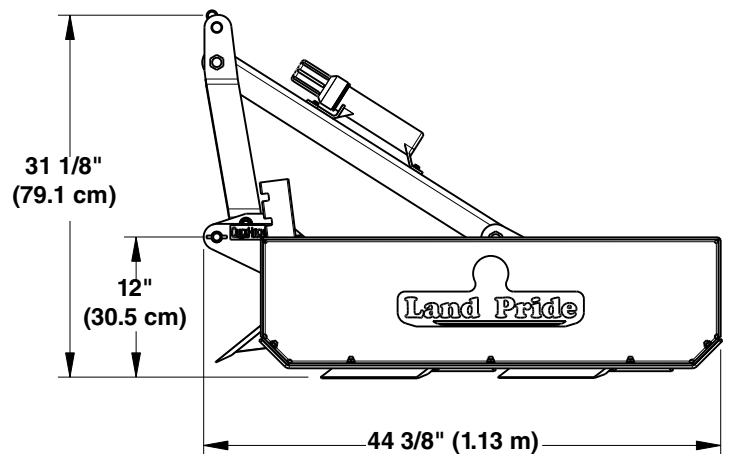
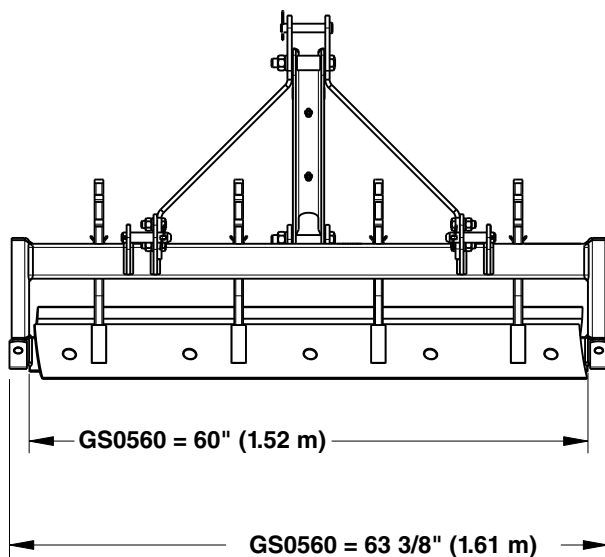
Rear cutting blades available as an accessory.



*See dealer for complete warranty information.

GS05 Series

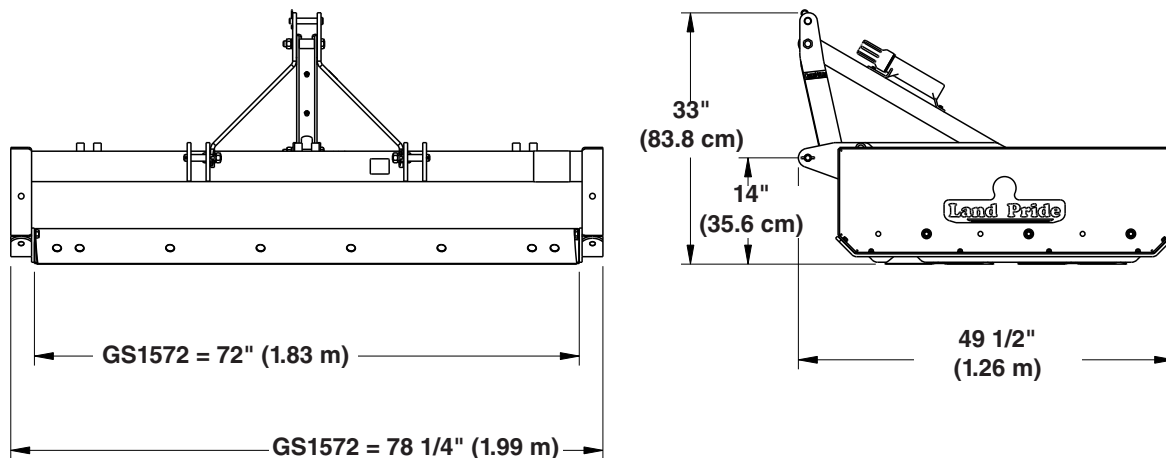
Specifications & Capacities	
Model Numbers	GS0560
Working width	60" (1.52 m)
Overall width	63 3/8" (1.61 m)
Number of scarifier shanks	4
Tractor hp requirement	18-33 hp (13.4-24.6 kw)
Weight without optional rear blades	350 lbs (158.8 kg)
Weight of optional rear blades	70 lbs (31.8 kg)
Overall length	44 3/8" (112.7 cm)
Overall height	31 1/8" (79.1 cm)
Side panel thickness	3/16" (5 mm) thick with 1 1/2" (3.8 cm) formed edges.
Front main beam & scarifier support.	4"x 3" (10.2 cm x 7.6 cm) reinforced heavy wall tubing.
Rear beam construction	3"x 2" (7.6 cm x 5.1 cm) heavy wall tubing.
Skid Shoe Dimensions	1/4" (6 mm) Thick x 1 1/2" (3.8 cm) wide x 40" (1.02 m) long.
Scarifier shank construction	Heat treated, 3-position shank with dimpled-on hardened tips.
Grader blades	Two 3/8" x 6" (1.0 cm x 15.2 cm) high-carbon, heat-treated blades that are reversible and replaceable.
Shank adjustments	3 3/4" and 1 1/2" (9.5 cm and 3.8 cm) below grade level. 1/2" (13 mm) above grade level.
Lower 3-point attachment	Clevis type
Hitch type	Category 1 and Category 1 Quick Hitch
Color selections	Land Pride Beige or Orange



39859

GS15 Series

List	Specifications & Capacities
Model Numbers	GS1572
Working width	72" (1.83 m)
Overall width	78 1/4" (1.99 m)
Number of scarifier shanks	5
Tractor horsepower requirement	25-50 hp (18.6-37.3 kw)
Unit weight with shanks	594 lbs (269.4 kg)
Overall length	50" (1.27 m)
Overall height	32" (81.3 cm)
Side panel height	14" (35.6 cm)
Side panel length	44" (1.12 m)
Side panel thickness	3/16" (5 mm) Thick with 2 3/4" formed edges.
Front main beam & scarifier Support.	4"x 4" x 5/16" (10.2 cm x 10.2 cm x 0.8 cm) Reinforced heavy wall tubing.
Rear beam construction	2"x 2"x 3/16" (5.1 cm x 5.1 cm x 0.5 cm) Heavy wall tubing.
Skid shoe dimensions	3/8" (10 mm) Thick x 2 3/4" (7.0 cm) wide x 44" (1.12 m) long.
Scarifier shank construction - Optional	Heat treated 4-position shank with dimpled-on hardened tips.
Cutting edges	Two 1/2" x 6" (1.3 cm x 15.2 cm) high carbon heat treated blades that are reversible and replaceable.
Cutting edge placement	Two parallel grading blades positioned at a 5 degree grading angle with 17 1/2" (44.5 cm) fore and aft spacing in between leading edges.
Cutting edge adjustment	Infinite vertical adjustment from level grade to 1 1/2" (3.8 cm) below grade.
Shank adjustments	3 1/2" and 1 1/2" (8.9 cm and 3.8 cm) below grade level. 1/2" and 2 1/2" (1.3 cm and 6.4 cm) above grade level.
Lower draft link attachment	Clevis type
Hitch type	Category 1 and Category 1 Quick Hitch
Color selections	Land Pride Beige or Orange

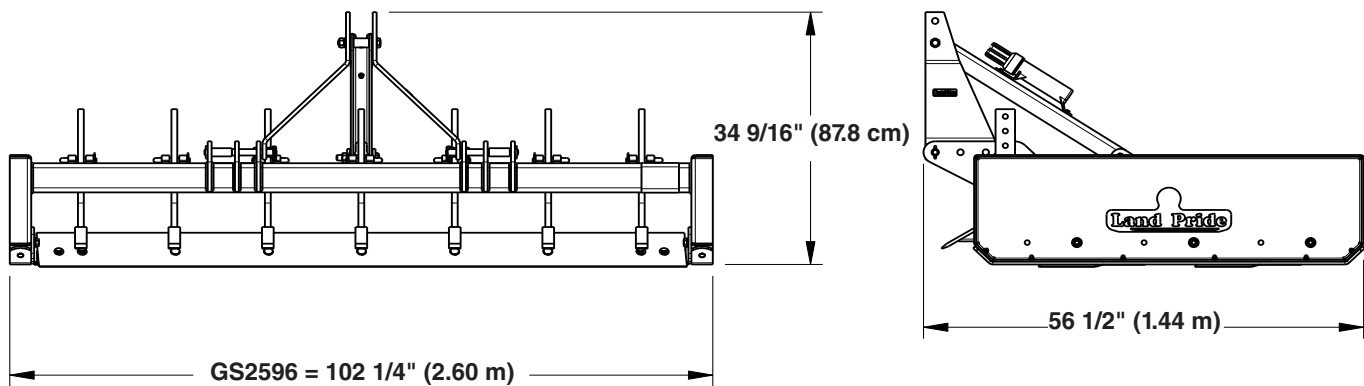


26758

GS25 Series

Specifications & Capacities

Model Numbers	GS2596
Working Width	96" (2.44 m)
Overall Width	102 1/4" (2.60 m)
Number of Scarifier Shanks	8
Tractor horsepower Requirement	40-90 hp (29.8-67.1 kw)
Unit Weight with Shanks	917 lbs (415.9 kg)
Overall Length	56 1/2" (1.44 m)
Overall Height	34 9/16" (87.8 cm)
Side Panel Height	14 5/8" (37.1 cm)
Side Panel Length	50" (1.27 m)
Side Panel Thickness Tractor	1/4" (6 mm) Thick with 2 3/4" (7.0 cm) formed edges.
Front Main Beam & Scarifier Support.	4"x 4" x 5/16" (10.2 cm x 10.2 cm x 0.8 cm) Reinforced heavy wall tubing.
Rear Beam Construction	3"x 3" x 3/16" (7.6 cm x 7.6 cm x 0.5 cm) Heavy wall tubing.
Skid Shoe Dimensions	3/8" (10 mm) Thick x 2 3/4" (7.0 cm) wide x 50 1/4" (1.28 m) long.
Skid Shoe Material	Constructed of high carbon steel
Scarifier Shank Construction - Optional	Heat treated 4-position shank with dimpled-on hardened tips.
Cutting Edges	Two 1/2" x 6" (1.3 cm x 15.2 cm) high carbon heat treated blades that are reversible and replaceable.
Cutting Edge Placement	Two parallel grading blades positioned at a 5 degree grading angle with 20" (50.8 cm) fore and aft spacing in between leading edges.
Cutting Edge Adjustment	Infinite vertical adjustment from level grade to 1 1/2" (3.8 cm) below grade.
Shank Adjustments	3 1/2" and 1 1/2" (8.9 cm and 3.8 cm) below grade level. 1/2" and 2 1/2" (1.3 cm and 6.4 cm) above grade level.
Lower Draft Link Attachment	Clevis type
Hitch Type	Category I & II 3-point hitch Category I & II Quick Hitch Compatible
Color Selections	Land Pride Beige or Orange



26667