

BB05/12 SERIES BOX SCRAPERS

HP REQUIRED
17-30 HP

HITCH
Cat. 0, 1, 1 Ltd.

DIRTWORKING



Productivity in a small package.

The Land Pride BB05 Series Fixed Bar Box Scrapers are designed for Category 0, 1, and 1 limited 3-Point hitch for mounting to subcompact tractors. The Land Pride BB12 Series Box Scrapers are designed for Category 1, 3-Point hitch or Quick-Hitch System mounting to tractors up to 30 HP range. Both Box Scraper models are ideal for ripping, leveling, finish grading, and backfilling applications at small feedlots, outdoor arenas, building sites, and maintenance operations for small landowners. The manually adjustable ripping shanks and the fore and aft cutting blades make these units especially effective and productive for small projects.

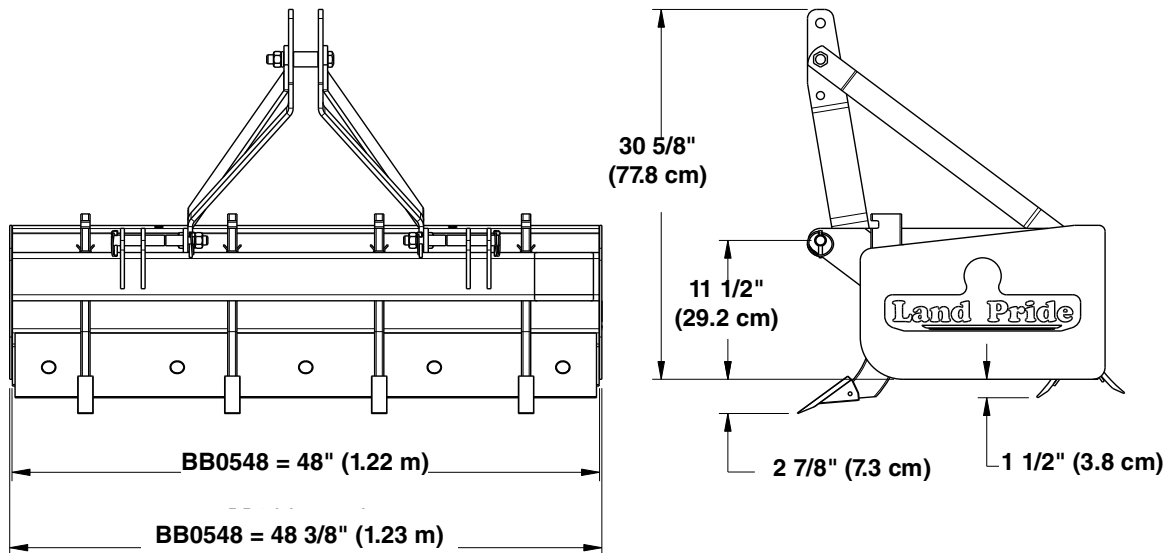


	BB0548	BB1260
Horsepower	17-25 HP	17-30 HP
Hitch	Cat. 0, 1 and 1 Limited	Cat. 1
Working Width (cm)	48" (122)	60" (152)
Height of Moldboard	13-5/16", Rolled	15-3/8", Formed
Side Panel Material	3/16"	3/16"
Depth of Bucket	18-1/2"	23-1/8"
Weight - lb (kg)	277 (126)	346 (157)
Number of Shanks	4	4
A-Frame Material	3/8" x 2-1/2" Flat Bar	1/2" x 3"
Cutting Edges	Two 3/8" x 3" High Carbon Heat Treated Blades, Reversible & Replaceable	Two 3/8" x 6" High Carbon Heat Treated Blades, Reversible & Replaceable
Colors		

QUICK HITCH
SYSTEM

BB05 Series

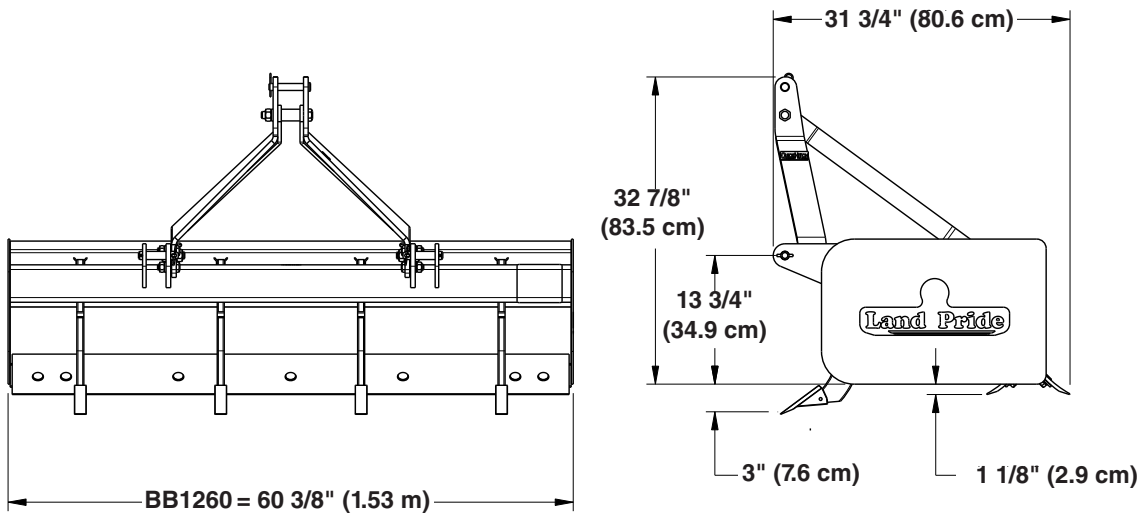
Specifications & Capacities	
Model No.	BB0548
Working Width	48" (1.22 m)
Capacity	7 cu.ft. (0.20 cu m)
Weight	277 lbs. (125.6 kg)
Number of Shanks	4
Shank Material	3/4" x 2 1/2" x 15" (1.9 cm x 6.4 cm x 38.1 cm) heat treated spring steel
Shank Penetration	2- positions (Out of the ground or 2 3/8" (6.0 cm) below scraper end plates)
Shank Tip Construction	Replaceable heat treated dimpled-on tips
Shank Beam	4" x 4" x 1/4" (10.2 cm x 10.2 cm x 0.6 cm) Square Tubing
Lift Mechanism	Manual lift with spring retainer at each shank
Moldboard	Bumped-formed moldboard -13 5/16" (33.8 cm) high
Side Panels	3/16" (5 mm) thick x 12 3/4" (32.4 cm) high x 20" (50.8 cm) deep
Depth of Bucket	18 1/2" (47 cm)
Bucket Reinforcement	Two welded braces to rear of moldboard
Cutting Blades	2 ea. 1/2" x 6" (13 mm x 15.2 cm) high carbon, heat treated cutting edges; reversible and replaceable
Maximum H.P. Rating	25 horsepower (18.6 kw)
A-Frame Material	3/8" x 3" (10 mm x 7.6 cm) C1021
3-Point Hitch Type	Clevis type lower hitches Cat. 0, Cat. I & Cat. I Limited (Fits Land Pride Quick Hitch)



26744

BB12 Series

	BB1260
Working Width	60" (1.52 m)
Capacity	11.75 cu. ft. (0.33 cu m)
Weight	346 lbs (156.9 kg)
Number of Shanks	4
Shank Material	3/4" x 2 1/2" x 15" (1.9 cm x 6.4 cm x 38.1 cm) heat treated spring steel
Vertical Shank Positions	3- positions (2 1/4" (5.7 cm) above scraper end plates; 1/4" (6 mm) and 2 3/4" (7.0 cm) below scraper end plates)
Shank Tip Construction	Replaceable heat treated dimpled-on tips
Shank Beam	4" x 4" x 1/4" (10.2 cm x 10.2 cm x 0.6 cm) Manufactured shank tube
Shank Lift Mechanism	Manual lift with spring retainer at each shank
Moldboard	Bumped-formed moldboard 15 3/8" (39.1 cm) vertical height
Side Panels	3/16" (5 mm) thick x 16" (40.6 cm) high x 24" (61.0 cm) deep
Depth of Bucket	23 1/8" (58.7 cm)
Bucket Reinforcement	Two welded braces to rear of bucket
Cutting Blades	2 ea. 3/8" x 6" (10 mm x 15.2 cm) high carbon, heat treated cutting edges; reversible and replaceable
Maximum H.P. Rating	30 Hp (22.4 kw)
A-Frame Material	1/2" x 3" (13mm x 76 mm)
3-Point Hitch Type	Double strap lower hitch Cat. I (Fits Land Pride Quick Hitch)



30737

BB15/25 SERIES BOX SCRAPERS

HP REQUIRED
17-55 HP

HITCH
Cat. 1



DIRTWORKING

Level, finish, grade, and backfill - all with one tool.

Land Pride's BB15 and BB25 Series Fixed Bar Box Scrapers are ideal for ripping, leveling, finish grading, and backfilling applications at feedlots, outdoor arenas, and construction sites, or for maintenance operations on lanes or roadways. The BB25 offers five different working widths to choose from. The roll-formed moldboard keeps materials flowing putting less drag on the Box Scraper, resulting in lower HP requirements and faster working conditions. The rear-mounted blade allows for backfilling trenches or along foundations.



	BB1572	BB2584
Horsepower	17-40 HP	25-55 HP
Hitch	Cat. 1	Cat. 1
Working Width (cm)	72" (183)	84" (213)
Height of Moldboard	17"	17"
Side Panel Material	5/16"	3/8"
Depth of Bucket	22"	22"
Overall Depth	31-1/2"	31-1/2"
Overall Height	35"	35"
Weight - lb (kg)	504 (229)	593 (269)
Number of Shanks	6	7
A-Frame Material	1/2" x 3" Flat Bar	1/2" Plate
Cutting Edges	Two 1/2" x 6" High Carbon Heat Treated Blades, Reversible & Replaceable	Two 1/2" x 6" High Carbon Heat Treated Blades, Reversible & Replaceable
Colors		



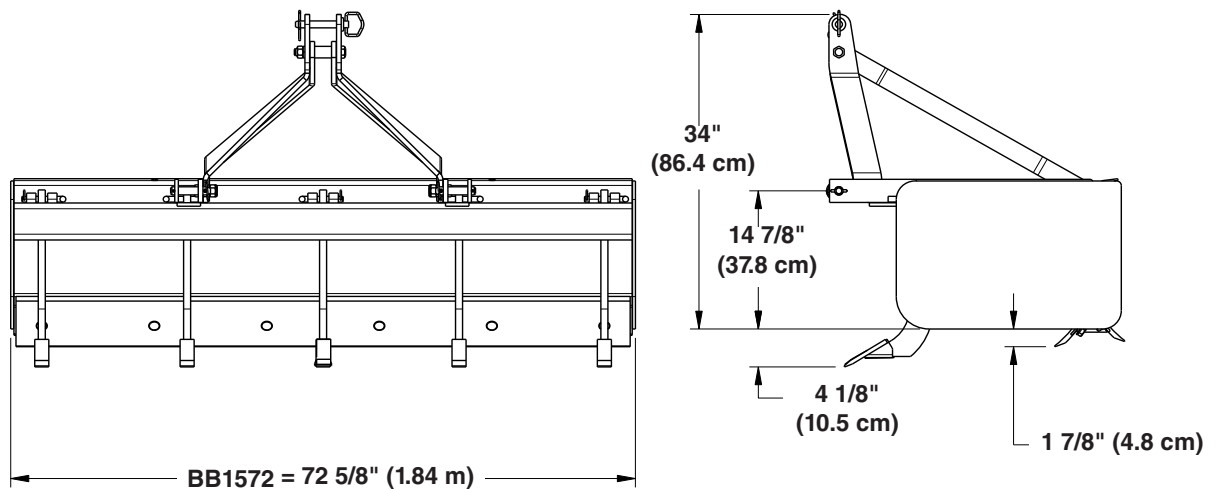
Side panel gussets reinforce the structural integrity during extreme conditions. (BB25 only)

*See dealer for complete warranty information.



BB15 Series

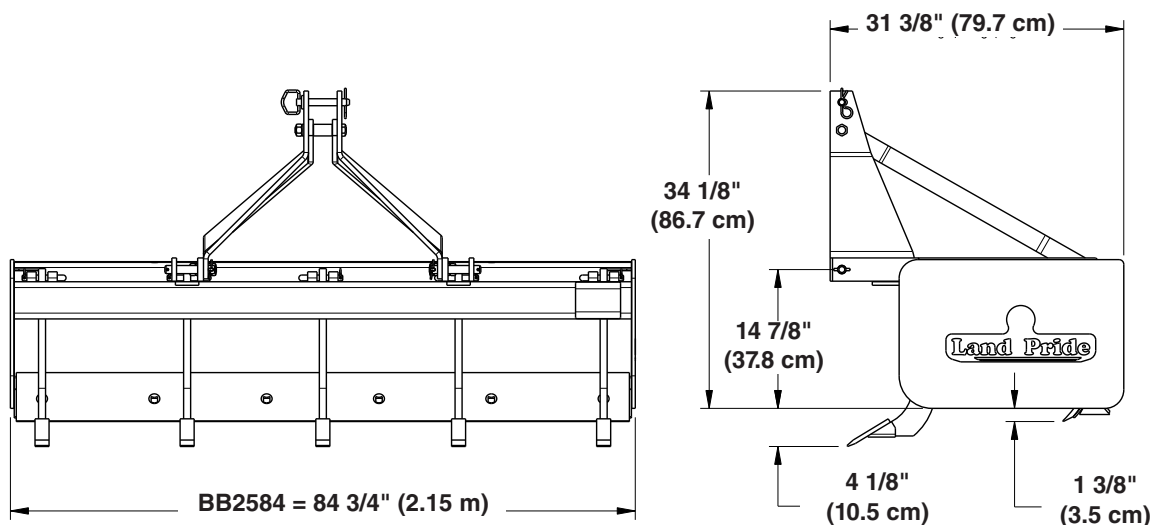
List	Specifications & Capacities
Model Numbers	BB1572
Working Width	72" (1.83 m)
Capacity	14.7 cu. ft. (0.42 cu m)
Weight	504 lbs (228.6 kg)
Number of Shanks	6
Shank Material	3/4" x 2 9/16" x 18" (1.9 cm x 6.5 cm x 45.7 cm) heat treated spring steel
Vertical Shank Positions	4- positions (2 1/4" & 1/4" (5.7 cm & 6 mm) above and 1 3/4" & 3 3/4" (4.4 cm & 9.5 cm) below scraper end plates)
Shank Tip Construction	Replaceable heat treated dimpled-on tips
Shank Beam	4" x 4" x 5/16" (10.2 cm x 10.2 cm x 0.8 cm) Square Tubing with 5/16" x 1" (8 mm x 25 mm) full length shank reinforcements
Lift Mechanism	4" x 4" x 5/16" (10.2 cm x 10.2 cm x 0.8 cm) Square Tubing with 5/16" x 1" (8 mm x 25 mm) full length shank reinforcements
Moldboard	Roll-formed moldboard - 17" (43.2 cm) High
Side Panels	5/16" (8 mm) thick x 16" (40.6 cm) high x 24" (61.0 cm) deep
Depth of Bucket	22" (55.9 cm)
Bucket Reinforcement	Two welded braces to rear of bucket
Cutting Blades	2 ea. 1/2" x 6" (1.3 cm x 15.2 cm) high carbon, heat treated cutting edges; reversible and replaceable
Maximum H.P. Rating	40 horsepower (29.8 kw)
A-Frame Material	1/2" x 3" (1.3 cm x 7.6 cm) HR 1021
3-Point Hitch Type	Double strap lower hitch Cat. I (Fits Land Pride Quick Hitch)



26746

BB25 Series

List	Specifications & Capacities
Model Numbers	BB2584
Working Width	84"(2.13 m)
Capacity	17.1 cu. ft. (0.48 cu m)
Weight	593 lbs (269.0 kg)
Number of Shanks	7
Shank Material	3/4" x 2 9/16" x 18" (1.9 cm x 6.5 cm x 45.7 cm) Heat Treated Spring Steel
Vertical Shank Positions	4- positions (2 1/4" & 1/4" (57 mm & 6 mm) above and 1 3/4" & 3 3/4" (4.4 cm & 9.5 cm) below scraper end plates)
Shank Tip Construction	Replaceable heat treated dimpled-on tips
Shank Beam	4" x 4" x 5/16" (10.2 cm x 10.2 cm x 8 mm) Square tubing with 5/16" x 1" (8 mm x 25 mm) full length shank reinforcements
Lift Mechanism	Manual lift with shank pin & hairpin cotter at each shank
Moldboard	Roll-Formed Moldboard - 17" (43.2 cm) High
Side Panels	3/8" (10 mm) thick x 16" (40.6 cm) high x 24" (61.0 cm) deep
Depth of Bucket	22" (55.9 cm)
Bucket Reinforcement	Two Welded Braces to Rear of Bucket Gusset Between Side Panel and Moldboard
Cutting Blades	2 ea. 1/2" x 6" (1.3 cm x 15.2 cm) high carbon, heat treated cutting edges; reversible and replaceable
Maximum H.P. Rating	55 horsepower (41.0 kw)
A-Frame Material	1/2" x 9" (1.3 cm x 22.9 cm) A36 Flat Bar
3-Point Hitch Type	Double strap lower hitches Cat. I (Fits Land Pride Quick Hitch)
Vertical Shank Positions	4



27520

BB35 SERIES BOX SCRAPERS

HP REQUIRED
45-120 HP

HITCH
Cat. 1 & 2

DIRTWORKING



Ideal for construction sites and commercial operations.

The beefy 3/8" x 4" x 4" main-frame tube and 3/8" end panels makes our 35 Series Fixed Bar Box Scraper ideal for construction sites and commercial operations or for use by counties and municipalities.

Two welded channel braces extend from front to rear of the box plus welded gussets between the side panels and 23" formed moldboard provide exceptional strength under heavy loads. The durable BB35 is comfortable dragging or back-filling.



Heat-treated dimpled on tips are easy to replace, and are heat-treated for toughness.



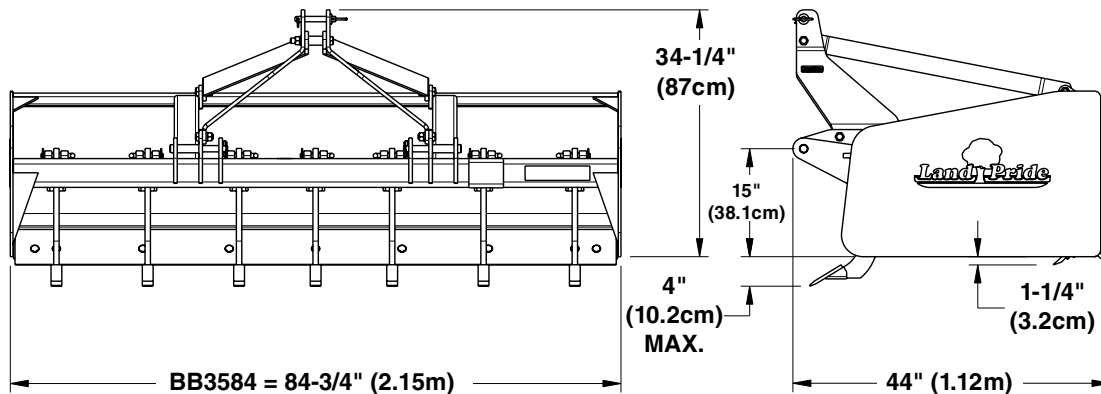
Heat-treated cutting blades are reversible so both edges can be used before replacing.

	BB3584
Horsepower	45-120 HP
Hitch	Cat. 1 & 2
Bucket Capacity - cu.ft. (cu. meter)	32 (.91)
Working Width (cm)	84" (213)
Height of Moldboard	23"
Side Panel Material	3/8"
Depth of Bucket	35"
Overall Depth	44"
Overall Height	35-1/2"
Weight - lb (kg)	855 (388)
Number of Shanks	7
A-Frame Material	1/2"
Cutting Edges	Two 1/2" x 6" High Carbon Heat Treated Blades, Reversible & Replaceable
Colors	



BB35 Series

Specifications & Capacities		
Model Numbers	Units	BB3584
Working width	inches (m)	84 (2.13)
Capacity	ft ³ (m ³)	32 (.91)
Weight	lbs. (kg)	853 (386.9)
Number of shanks		7
Shank material	inches (cm)	3/4 x 2 9/16 x 18 (1.9 x 6.5 x 45.7) heat treated spring steel
Vertical shank positions	inches (cm)	4 - positions [2 (5.1) above, even, 2 (5.1) below & 4 (10.2) below scraper end plates]
Shank tip construction		Replaceable heat treated dimpled-on tips
Shank beam	inches (cm)	4 x 4 x 3/8 (10.2 x 10.2 x 1) Square Tubing with 1/2 x 1/2 (1.3 x 1.3) reinforced shank opening
Lift mechanism		Manual with bent pin and hairpin cotter at each shank.
Moldboard	inches (cm)	Formed moldboard - 23 (58.4) High
Side Panels	inches (cm)	3/8 (1) thick x 23 (58.4) high x 36 (91.4) deep
Depth of bucket	inches (cm)	22 (55.9)
Bucket reinforcement		Two braces extending from shank beam to rear of bucket, two horizontal gussets between the side panels and moldboard, and two vertical gussets between shank beam and side panels.
Cutting blades	inches (cm)	2 ea. 1/2 x 6 (1.3 x 15.2) high carbon, heat treated cutting edges; reversible and replaceable. Backfill blade is standard
Horsepower Requirement	hp (kW)	45-120 (33.6-89.5)
A-frame hitch construction	inches (mm)	1/2 (13) HR A-frame plates
3-Point hitch type		Cat. I & Cat. II Double strap lower clevises Fits Land Pride Quick Hitch



39259