

PELLENC



VINE GROWING
MACHINERY, EQUIPMENT AND BATTERY POWER TOOLS FOR PROFESSIONALS
CATALOGUE 2020





“

MAKING YOUR WORK EASIER WHILE RESPECTING NATURE

—

Since its creation in 1973, PELLENC Group has been manufacturing tools for agriculture, green spaces, and municipalities, working closely with these industries to make labour-intensive tasks easier while increasing productivity. The 1,489 employees at PELLENC Group are committed to the values of excellence and thoroughness in their work and passionately committed to designing, producing, and marketing tools at the cutting edge of technological innovation. We are constantly seeking new ways to make working with nature more enjoyable and more efficient, through our conviction that it is possible to yield better results while also respecting the environment. Today, PELLENC Group is pushing its influence even further, with the support of a new governance structure which shares these values and this philosophy. Together we are pursuing our mission to work with nature, while serving people.



CONTENTS

COMPANY

AN INTERNATIONAL NETWORK.....	6
AN ENVIRONMENTAL POLICY.....	8

CONCEPTS

DESIGN AND MULTIFUNCTIONALITY	14
BATTERY POWER TOOLS.....	18
MULTIVITI CHASSIS.....	26
MULTIFUNCTION CARRIER.....	30

HARVESTING

MULTIFUNCTION CARRIER RANGE	36
OPTIMUM CARRIER.....	40
OPTIMUM XLE DISCHARGE.....	56
TRACTOR-TOWED RANGE	
GRAPES'LINE.....	60

VINE GROWING

PRE-PRUNING

DISCO PRE-PRUNER.....	74
VISIO PRE-PRUNER.....	78

PRUNING

PRECISION PRUNING.....	82
VINION PRUNING SHEARS.....	86

TYING

FIXION 2 TYING MACHINE.....	90
-----------------------------	----

SPRAYING

EOLE 2000 / 3000 SPRAYER.....	94
-------------------------------	----

TRELLISING

TRELLISING MACHINE.....	104
-------------------------	-----

LEAF REMOVAL

SOFT TOUCH 2 LEAF REMOVER.....	108
--------------------------------	-----

SOIL MAINTENANCE

TWIN BOX SPREADER.....	114
CULTIVION SOIL CULTIVATOR.....	118

TRIMMING

HOW TO CHOOSE A CUTTING SYSTEM.....	122
PANORAMA TRIMMER.....	124
MULTIVITI TRIMMER.....	128
FRONT-MOUNTED OR BOGIE-MOUNTED	
TWO-ROW TRIMMER.....	132
OPTIMUM TRIMMER.....	136

SERVICES

PRIZES AND AWARDS.....	140
------------------------	-----

AN INTERNATIONAL DISTRIBUTION NETWORK



● Countries covered

ALGERIA / ARGENTINA / AUSTRALIA / AUSTRIA
 BELGIUM / BOLIVIA / BRAZIL / BULGARIA
 CANADA / CHILE / CHINA / CYPRUS / CROATIA
 CZECH REPUBLIC / DENMARK / FINLAND
 FRANCE / GERMANY / GEORGIA / GREECE
 GUADELOUPE / HUNGARY / INDIA / IRELAND
 ISRAEL / ITALY / JAPAN / JORDAN
 LA RÉUNION / LEBANON / LUXEMBOURG
 MAURITIUS / MOROCCO / MOLDAVIA / NEW
 CALEDONIA / NEW ZEALAND / NETHERLANDS
 NORWAY / NORTH MACEDONIA / POLAND
 PORTUGAL / ROMANIA / RUSSIA / SAUDI
 ARABIA / SLOVAKIA / SLOVENIA / SOUTH AFRICA
 SOUTH KOREA / SPAIN / SWEDEN / SWITZERLAND
 TUNISIA / TURKEY / UNITED ARAB EMIRATES
 UNITED KINGDOM / UNITED STATES.

EUROPE

📍 PELLENC (HEAD OFFICE)
contact@pellenc.com

📍 PELLENC LANGUEDOC-ROUSSILLON
info@pellenc-lr.com

📍 PELLENC BORDEAUX-CHARENTES
info@pellenc-bc.com

📍 PERA-PELLENC
pera@pera.fr

📍 PELLENC HD
contact.phd@pellenc.com

📍 PELLENC VIGNOBLES CHAMPENOIS

📍 PELLENC DEUTSCHLAND
pellencdeutschland@pellenc.com

📍 PELLENC ITALIA
info@pellencitalia.com

📍 VOLENTIERI PELLENC
info@volentieripellenc.com

📍 PELLENC IBERICA
pellenc@pellenc.es

📍 FILPEL BOBINAS

📍 PELLENC SLOVENSKO



PELENC IS A FRENCH GROUP WITH AN INTERNATIONAL PRESENCE

We have over 800 authorised distributors on all continents. PELENC extends its network every year and endeavours to offer its technologies and products to the largest number of customers worldwide.

AMERICA

- 📍 **PELENC AMERICA**
pellencamerica@pellencus.com
- 📍 **PELENC SUD AMERICA S.A.**
info@pellenc.cl

AFRICA

- 📍 **PELENC MAROC**
pellenc.maroc@pellenc.com
- 📍 **PELENC SOUTH AFRICA**
pellencsouthafrica@pellenc.com

ASIA / OCEANIA

- 📍 **PELENC CHINA**
- 📍 **PELENC AUSTRALIA**
admin@pellenc.com.au

- 📍 **Head office**
- 📍 **Mixed subsidiaries**
(distribution and production)
- 📍 **Distribution subsidiaries**
- 📍 **Production subsidiaries**



A STRICT ENVIRONMENTAL POLICY FOR THE FUTURE

—
PELLENC is undertaking a sustainable development process, aimed at limiting the environmental impact of its activities. The group is incorporating this idea across the board, from product design onwards.

As well as the product lifecycle, PELLENC's environmental policy covers the industrial system used in manufacture and the infrastructures accommodating the business's human resources and organisation. This covers the manufacturing side as well as the infrastructures hosting the company's human resources and organisation. PELLENC also sets targets for its suppliers to meet the standards of its environmental policy.

ECO-DESIGNING PRODUCTS WITH **LOW ENVIRONMENTAL IMPACT** IN MIND

As part of its overall business procedure, PELLENC takes an active role in environmental protection and the smooth running of the circular economy.

As an industrial manufacturer, we constantly endeavour to reduce our manufacturing and packaging waste, to optimise our logistics and to save natural resources, with our choice of lithium-ion batteries, using a non-heavy metal which is over 98%* recyclable. Our range of battery power tools have minimum CO₂ emissions. Concerned to ensure continuing innovative design of our range of battery power tools, up to the end of their life, and subject to WEEE (Waste Electronic and Electrical Equipment) regulations, we have joined two government-approved organisations to create a partnership with our network for recovering tools and batteries at the end of their lives.



LIMITING THE IMPACT OF THE END OF SERVICE LIFE

The first objective in the design of PELLENC products is to maximise their life span in professional working conditions. This delays end of life significantly and reduces the environmental impact.

PELLENC also gives preference to recyclable materials and makes sure its product components are marked with material codes to help recycling.

Finally, PELLENC provides end of life data sheets to guide recycling workers in dismantling the products.

As for our batteries, the lithium-ion they contain is 98%* recyclable.

In our concern for the innovative design of our range of battery power tools, up to the end of their lives, we have decided to join the following approved eco-organisations:

Don't hesitate to ask your distributor if you need more information on the conditions for collecting and returning your tools to their sales outlets.

We also recommend you consult the websites of these environmental organisations who have very useful explanatory videos about how the WEEE and the battery disposal network are organised.

LITHIUM-ION BATTERY



RECYCLABLE

98 %*

** with a hydrometallurgical recycling process.*

ZERO-EMISSION BATTERY POWER TOOLS

Trailblazer for brushless motors and lithium-ion technology, over the last decade PELLENC has made extensive investments to design, develop, and manufacture a full range of “zero-emission” portable power tools for maintaining green spaces and urban landscapes, fruit growing, olive tree farming, and vine growing. The aim was to provide a range of tools offering at least the same levels of performance (power, battery life, etc.) as their petrol-motor equivalents, but without direct CO₂ emissions and with noise levels below the legal thresholds requiring

ear protection. In line with ADEME (French Environment & Energy Management Agency) recommendations, PELLENC has produced a carbon report for its battery power tools, in order to measure their direct and indirect greenhouse gas (GHG) emissions and compare them with the equivalent thermal motor tools. The results are compelling; compared to their petrol-engine equivalents, PELLENC battery power tools emit 120 times less greenhouse gas, and only indirectly, with regard to the electrical power they use.

CARBON FOOTPRINT	PETROL CHAINSAW	SELION + BATTERY ULiB	SELION + SOLERION
	DIRECT EMISSIONS + PETROL PRODUCTION	DIRECT EMISSIONS + ELECTRICITY PRODUCTION	DIRECT EMISSIONS
Carbon equivalent / hour (CO ₂)	4,084 g	34 g	0 g
Carbon equivalent / day (CO ₂)	24.5 kg	0.204 kg	0 kg
Carbon equivalent / year (CO ₂)	4.900 metric tonnes	0.040 metric tonnes	0 metric tonnes

PROTECTING BIODIVERSITY AND PLANT LIFE

PELLENC machines, equipment, and tools are designed to operate using non-mineral, biodegradable oils. This is especially relevant for tools such as chainsaws and pruners.

PELLENC products comply with regulations governing the use of heavy metals and toxic or hazardous substances that can harm the environment. The lithium-ion used in our battery components is not a heavy metal and is over 80% recyclable.



MAJOR COMPANIES PRIZE

In 2014, PELLENC was rewarded by the Minister for the Environment and Sustainable Development and by ADEME in the category “Eco-product for sustainable development”.



GOLDEN DECIBEL

Awarded to **AIRION 2** in 2011 by the French National Noise Council.

REDUCING NOISE POLLUTION

PELLENC battery power tools comply with the following directives:

- N° 2003/10/EC relating to minimum health and safety provisions on workers’ exposure to risks from physical agents (noise);
- N° 2000/14/EC, on noise emissions from equipment used outside buildings.

PELLENC battery power tools run on electricity, with brushless motors, which puts them among the tools with the lowest noise levels on the market, in contrast to petrol-motor tools. PELLENC’s electrical technology reduces the number of components in the tools (no clutch), as well as the moving parts, thus reducing noise emissions. Unlike petrol engines, which operate continuously, the PELLENC brushless motor comes to a complete stop between two work cycles. This results in less exposure to even low noise levels while cutting; which is good for the user and the neighbourhood.

European standards require ear protection above a noise level of 85 dB. The noise levels produced by PELLENC battery power tools are below that threshold.

SELION PRUNER



64 x LESS NOISE

than a petrol chainsaw of equivalent power.

PROCESSES AND SUPPLY CHAIN INCORPORATING THE IDEA OF **SUSTAINABLE DEVELOPMENT**

In line with its environmental approach, PELLENC implements manufacturing processes which make the most of this idea of sustainable development incorporating them into its supply-chain and logistics-flow optimisation policy.

REDUCING AND OPTIMISING PACKAGING

The PELLENC group has deployed a supply-chain policy aimed at cutting the quantity, volume and weight of packaging, in order to optimise the transport of goods and thus limit the environmental impact in terms of fuel consumption and greenhouse gas emissions. This policy also helps limit the direct impact of packaging on the environment (waste output).

Individual packaging has been removed in favour of “bulk” wrapping for small, high-consumption supplies (screws and fittings, seals, etc.). This is also the case for medium-sized parts, which are not fragile, and are simply film-wrapped.

OPTIMISING LOGISTICAL FLOWS

From the design stage, PELLENC incorporates the dimensional constraints associated with transporting its machines, equipment and tools to make them as compact as possible, thus optimising transport volumes.

The group has invested in special software that maximises pallet capacity according to the destination (domestic and overseas) and takes internal (production) and external (distribution) flows into account. That software also calculates the optimal route for trucks to reach their delivery points. Together with improved packaging (bulk, skin pack, etc.), this has cut transport costs by 30% and reduced the associated environmental impact.

Finally, PELLENC favours maritime groupage in order to charter containers more efficiently. This cooperative transport service with other companies enables optimum filling of containers, and thus limits the number of shipments.





Refurbishment of the Pertuis factory in France and new factory at Jaen in Spain.



A STRONG **ECO-BUILDING** POLICY

PELENC takes into account the impact of its buildings, energy consumption and well-being of the teams working there.

REDUCING ENERGY CONSUMPTION

In terms of eco-building, the PELLENC Group's policy operates at two levels: design of buildings, mainly aimed at keeping heat losses to a minimum and optimising energy and water consumption; production of energy reports to monitor the actual performance of the buildings.

For example, the latest PELLENC eco-building projects (new 10,000 m² factory in Jaen in Spain, refurbishment of the factory at Pertuis, a new PELLENC Morocco building) incorporate the following equipment:

- High-efficiency condensing boilers;
- Chilled water used to cool buildings (no greenhouse gases);

- Water treatment (separation and treatment of waste water, rainwater and hydrocarbons);
- Solar power production (PV);
- Automatic lighting controls;
- And more.

Finally, PELLENC has produced an energy report showing that its eco-building policy is bearing fruit: measurements made on the head office buildings at Pertuis indicate energy consumption (electricity and heating) is anywhere from 28% (offices) to 80% (workshops) below average for buildings of comparable size in the same sector of activity as PELLENC (source: 2008 energy report – CEREN).





CONCEPTS

MULTIFUNCTION, A PELLENC CONCEPT

BATTERY POWER TOOLS

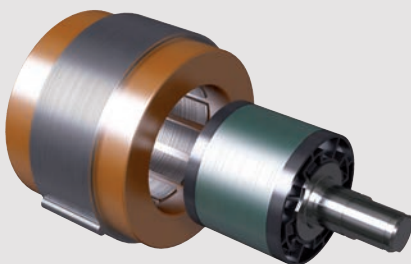


P.18

ULiB BATTERIES

PELLENC was the world's first manufacturer to introduce lithium-ion technology in battery power tools and develop its own technology to obtain the best power/weight/battery life compromise for intensive professional work.

PELLENC INNOVATION

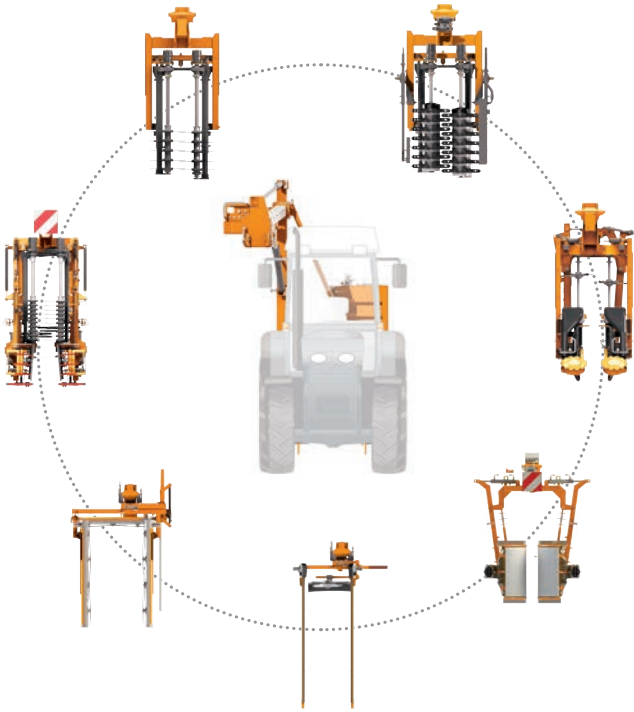


P.24

ELECTRIC MOTORS

The first to launch electric pruning shears, PELLENC has gone on to develop many more battery power tools. All these tools use revolutionary PELLENC motors, which give your products power and efficiency with limited vibration for precision work without the fatigue.

MULTIFUNCTION CHASSIS



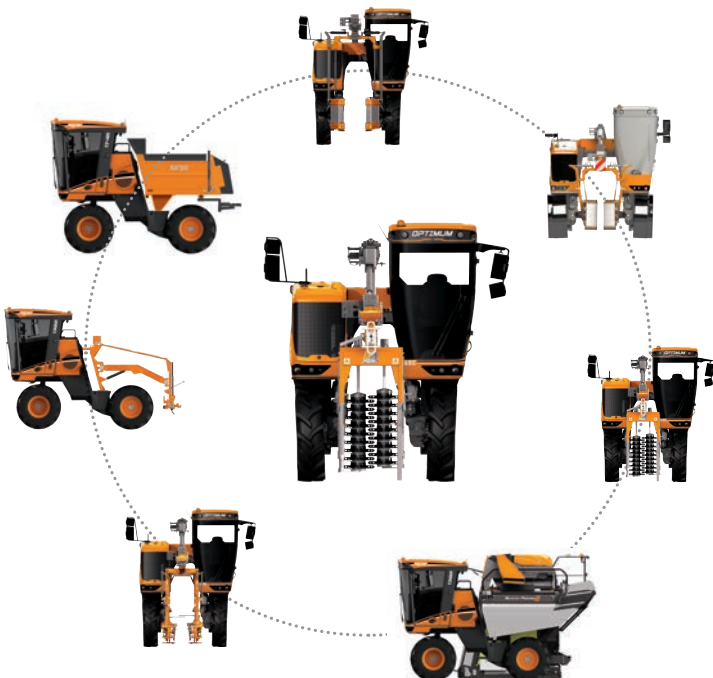
P.26

MULTIVITI CHASSIS

MULTIVITI is a chassis for in-the-row and straddle tractors to which the full range of tools for vineyard work can be coupled within three minutes without the need for tools.

Commands are recognised and carried out automatically.

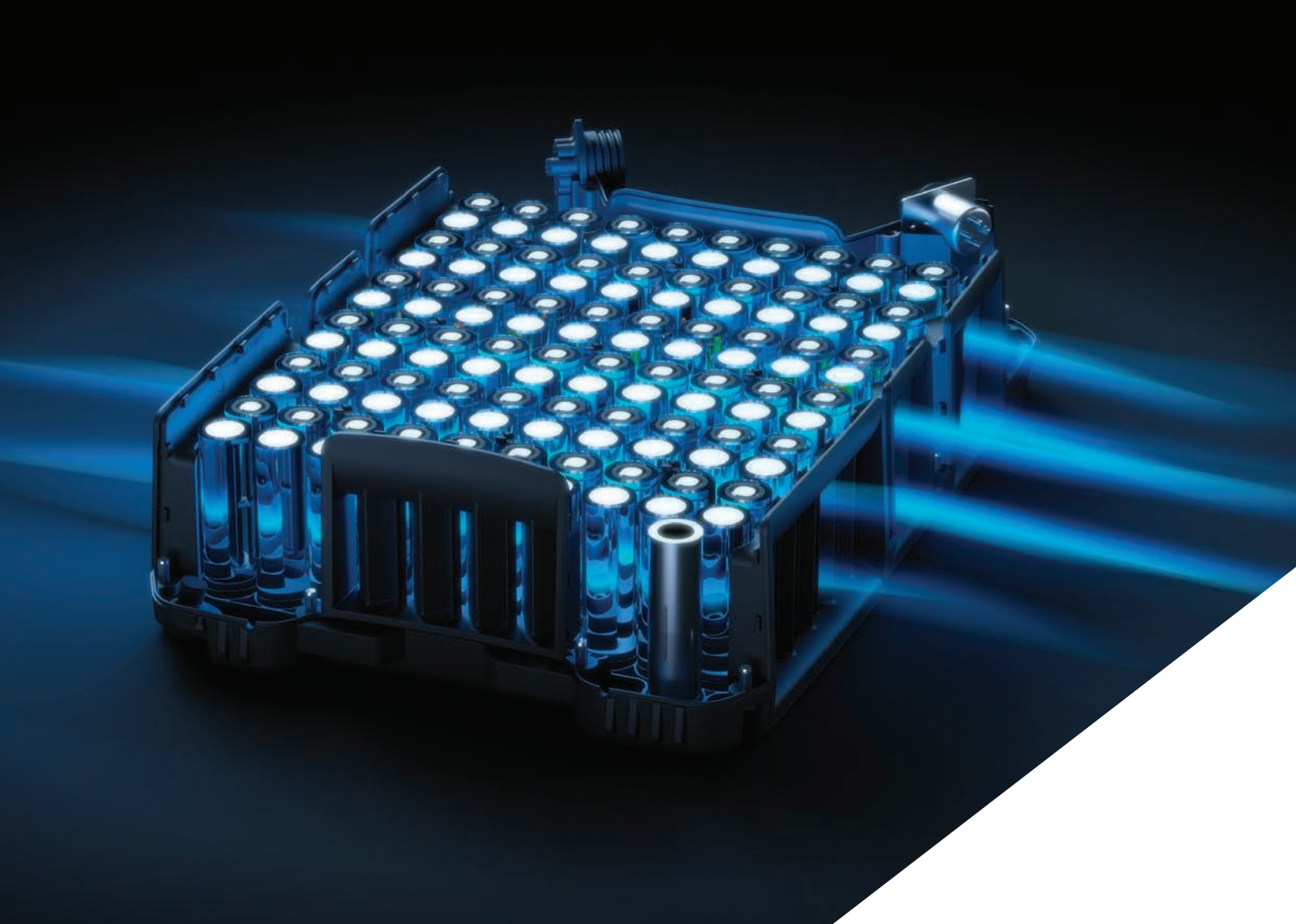
MULTIFUNCTION CARRIER



P.30

OPTIMUM

Harvest and carry out all your vineyard operations with your PELLENC carrier for an unrivalled work quality. PELLENC multifunction is the eco-efficient solution.



ULTRA LITHIUM BATTERY

UNRIVALLED WEIGHT/ POWER/BATTERY LIFE RATIO

-

PELENC is the world's first manufacturer to have introduced lithium-ion technology in battery power tools.

PELENC has developed its own technology for a power-weight-battery life ratio suitable for intensive professional work.

Testimonial

As a user of many PELENC tools (LIXION, TREELION, SELION pole and SELION M12), I appreciate the quality of the PELENC ULiB batteries every day. To me, their first and most important advantage is their long battery life. It guarantees me at least one full day of intensive work without having to recharge. The first PELENC batteries purchased in 2005 with my electric pruning shears are still fully functional, with no maintenance, and despite 600 hours of work annually. With the ULiB 200 (pruning shears) or ULiB 700, I like the comfortable ventilated carrying harness that lets me forget about the battery while I'm working. The battery display is very accurate, I don't recharge the battery unnecessarily for the next day if the remaining capacity is sufficient.

Cedric Riols

Riols C.V. Fruit growing
SAINT-MARTIN-DE-CRAU - FRANCE

ULIB BASICS

 COST-SAVING

 EFFICIENT

 USER-FRIENDLY

 DURABLE

COST-EFFECTIVENESS

WORK IT OUT FOR YOURSELF

Example of return on investment after 800 cycles using the ULiB 700.

DAILY CONSUMPTION OF YOUR PETROL EQUIPMENT

	Using a 2-stroke mix*	With ready-to-use fuel
Litre/day	5 L	5 L
Cost per litre	€1.50	€4
Daily cost	€7.50	€20

* Regulations require the substitution

IF YOU BUY A PELLENC 700 ULiB BATTERY

Daily cost	€0.10	€0.10
Savings per day	€7.40	€19.90
Paid off in	130 days	50 days
Return on investment	€5,000	€15,000



VS



PELLENC ULiB 1100 BATTERY **27 KG* OF CO₂**
 TWO-STROKE MIXTURE **5.2 METRIC TONNES* OF CO₂**

* Direct emissions of CO₂/day with a PELLENC hedge trimmer

** Direct emissions of CO₂/day with a petrol hedge trimmer

COST-SAVING

- Minimal daily cost.
- Costs almost nothing to recharge.
- Save 3,000 litres of petrol and 60 litres of (chainsaw) oil over its service life.

EFFICIENT

- Constant power up to the end of the discharge cycle.
- Battery-level indicator.
- Multifunction battery.

USER-FRIENDLY

- The comfortable carrying harness distributes the battery weight.
- Breathable mesh fabric.
- Velcro attachment for threading the cord.
- Instant start-up in cold or hot environment.

DURABLE

- Up to 1,200 full recharges possible.
- Intelligent management that automatically optimises the charge during periods of inactivity.

+ ADVANTAGES

REPLACING YOUR OLD PETROL-DRIVEN EQUIPMENT WITH A PELLENC TOOL, SAVES YOU MONEY.

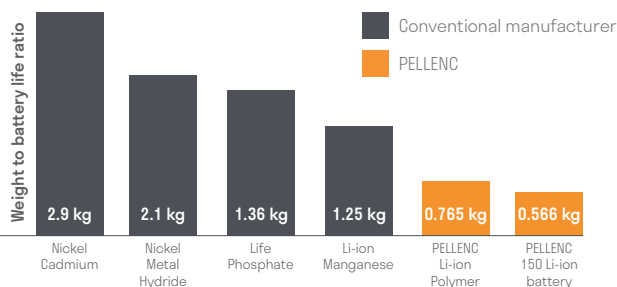
ONCE A BATTERY HAS PAID FOR ITSELF, YOU ARE SEEING RETURNS ON YOUR INVESTMENT FOR THE REST OF ITS SERVICE LIFE.

PELENC ULTRA-HIGH CAPACITY BATTERIES

THE BEST POWER TO WEIGHT RATIO ON THE MARKET

For example, the Ultra Lithium Battery 150 develops nearly 150 Wh for only 0.566 kg of lithium-ion elements. PELENC is the only manufacturer in the world to use the revolutionary ternary lithium-ion battery technology (nickel-manganese-cobalt). Its light weight means the vine grower can work with it for a full day.

To generate the same amount of energy, a nickel cadmium (Ni Cd) battery would weigh 2.9 kg, a nickel metal hydride battery (NiMH) would weigh 2.1 kg, a lithium iron phosphate battery (technology used for electric vehicles) would weigh 1.36 kg and a lithium-ion manganese battery (technology used for consumer-market battery power tools) would weigh 1.25 kg.



SECURE SYSTEM

Ensures the safety of your battery and prevents overload and discharge.



BALANCE SYSTEM

Guarantees balanced charging of each component.



LIFE SYSTEM

Ensures optimum lifespan through individual protection of each component.



POWER SYSTEM

Recognition device that delivers the optimal capacity required for each PELENC tool.

A COMPREHENSIVE RANGE SUITABLE FOR EVERY USE

1. POCKET BATTERIES

Its light weight and record battery life allows you to work all day with unmatched comfort

150 & 150P BATTERY



COMPACT



LONG LASTING

The longest service life on the market



HEAVY DUTY



ECO-FRIENDLY

No CO₂ emissions
80% recyclable



LIGHTWEIGHT



MULTIFUNCTION

The widest range of batteries on the market

150P BATTERY



1. Lithium-ion battery
2. Battery life display
On/off and settings buttons with four mode settings
3. Adjustable belt
4. Cord clip
5. Holster

2. THE MULTIFUNCTION BATTERY WITH A DOUBLE CONNECTOR

250 BATTERY



"BREATHABLE"
HARNESS
FOR MAXIMUM
COMFORT

DUAL
CONNECTOR
MULTI-TOOL USE



1. Integrated handle
2. Chest strap for lateral carrying of the battery
3. Air circulates at the back
4. Cord loops
5. Lithium-ion battery
6. On-off battery display with four mode settings
7. Adjustable belt
8. Holster



Pruning in an orchard with the SELION M12 and PRUNION using a ULiB 250 battery for alternating work.

A COMPREHENSIVE RANGE SUITABLE FOR EVERY USE

3. MULTIFUNCTION BATTERIES

designed for the PELLENC tools range



ERGONOMIC
HARNESS FOR
OPTIMUM COMFORT



COMPACT



HEAVY DUTY



LIGHTWEIGHT



LONG-LASTING

The longest service life
on the market



ECO-FRIENDLY

No CO₂ emissions
80% recyclable



MULTIFUNCTION

The widest range of
batteries on the market

- | | |
|---|---|
| 1. Upper clip for ideal distribution of the battery weight | 3. Adjustable belt |
| 2. Two-layer support system to let air circulate around the user's back | 4. Lithium-ion battery |
| | 5. Battery display |
| | 6. Electronic control card for charging and discharging |



Record battery life

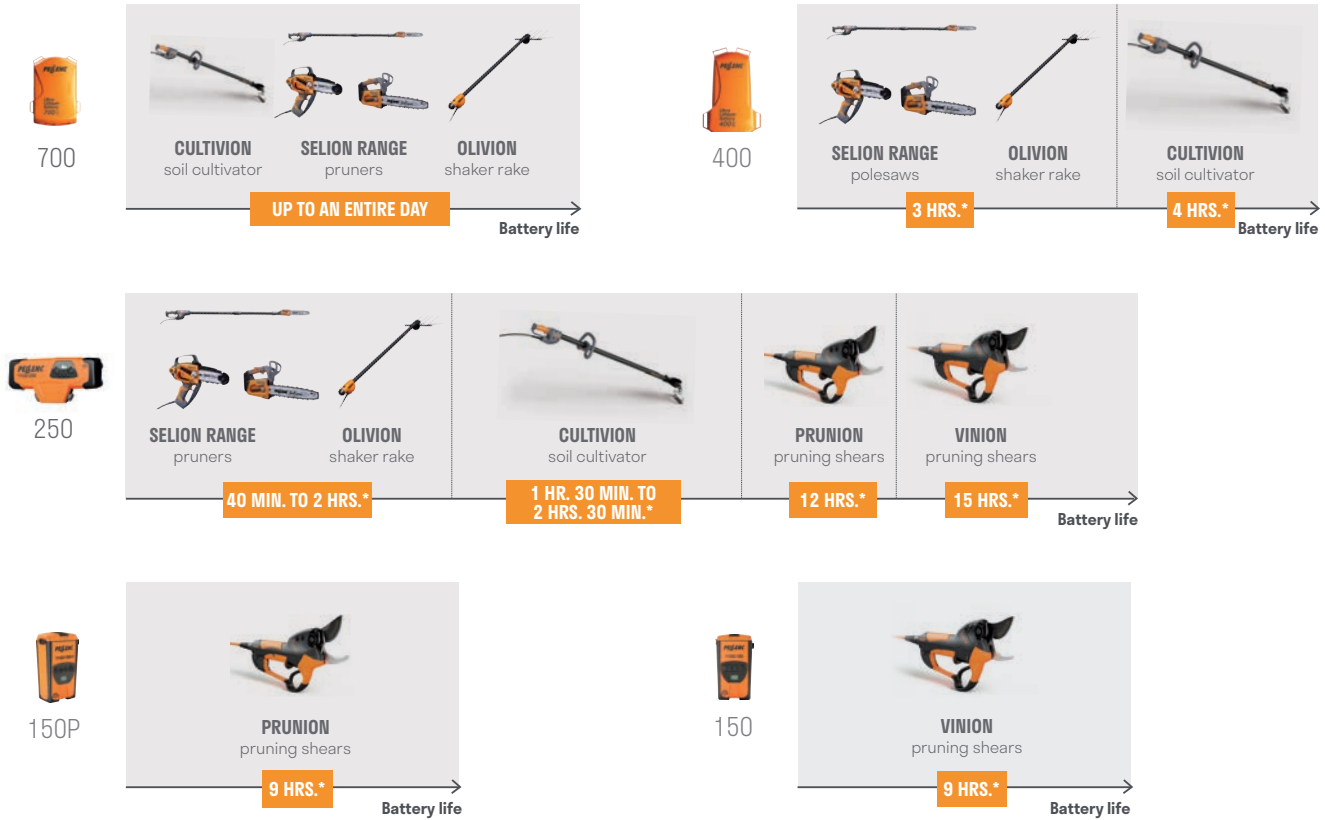
ULiB batteries let you work from a half to a full day. The power delivered is always constant regardless of the level of energy. All PELLENC batteries have a display showing the remaining battery life as a percentage.



PELENC electronically- controlled lithium-ion battery

Control of the lithium-ion battery cells is fully monitored by the electronic board. The battery temperature is monitored during charging and discharging. If it is too low or too high, the battery automatically switches to safety mode.

TOOLS/BATTERY LIFE MATRIX



* Total working time for average professional use.
This time includes tool stoppages inherent in the job.

A BATTERY OF ADVANTAGES

	150P	150	250	400	OLIVION	700
Weight (without harness) - kg	0.845	0.845	1.68	3.2	5.5	5.2
Voltages - V	43.2	43.2	43.2	43.2	43.2	43.2
Capacity - Ah	3.0	3.45	5.8	9	15.4	17.4
Energy stored - Wh	130	150	250	389	700	752
Average service life - Cycles	800	800	1,000	800 to 1,200	800 to 1,200	800 to 1,200
Charging time to 100% - hrs	8	9	5	5	8	8
Quick charge to 100% Quick Charger - hrs	-	-	-	2	3	3



ELECTRIC MOTORS

Ultra-efficient, a PELLENC fundamental.

Since it first started manufacturing electric pruning shears, PELLENC has developed a wide range of battery power tools.

The tools use revolutionary PELLENC motors that deliver power and efficiency while reducing vibrations for precise, fatigue-free work.

Testimonial

PELLENC tools with their Brushless-motor technology have increased the cost-effectiveness of my olive farm and made the work more comfortable. In fact, the power delivered by the PELLENC motor in the Olivion lets me harvest my olives four times faster than by manual harvesting. And I'm impressed by how easy it is to use, the electrical technology keeps emissions and vibrations to a minimum. The extremely compact size of the PELLENC motor makes it possible to position each tool ideally, optimising their balance. We have been using PELLENC Brushless motors for 20 years (P2000 pruning shears) and I am fully convinced of their maintenance-free reliability.

Rémi Coste

Olive grower - Treelion, Lixion Evolution, Selion Pole, and Olivion user
MAUSSANE LES ALPILLES - FRANCE

MOTOR BASICS



EFFICIENT



ECO-FRIENDLY



COST-SAVING



BATTERY LIFE



PELLENC Brushless (frictionless) motor



EFFICIENT

- The brushless technology (frictionless and carbon-free) developed for the PELLENC motor gives it an unmatched power-to-weight ratio.
- Ultra-lightweight tools.
- Compact.

ECO-FRIENDLY

- PELLENC motors are 95% recyclable.
- Zero CO₂ emissions.
- Very quiet.

COST-SAVING

- PELLENC motors achieve an efficiency rating of nearly 92%. They produce a lot of power with low energy consumption.
- PELLENC motors require no maintenance.

BATTERY LIFE

- The design of PELLENC motors, thanks to the absence of friction, affords them a very long life, guaranteeing the reliability of your tools.



MULTIVITI

A CHOICE OF FOUR CHASSIS FOR ALL TYPES OF WORK IN THE VINEYARD!

With MULTIVITI, you can couple any PELLENC vineyard-work tool to the same chassis in just 3 minutes! The range includes four chassis: for an in-the-row tractor with the MULTIVITI 20 and 40, or for a straddle tractor with the MULTIVITI straddle chassis (1-row and 2-row versions).

Testimonial

We use our MULTIVITI chassis with a VISIO HD pre-pruner (250 hectares per year) or a PELLENC wire lifter (50 hectares per year). We were interested in the fast-change capability of the tool. We are really pleased with the ease and speed of changing tools in actual use: only a mechanical key to open, two hydraulic push-pulls, and a power cable to plug in! The compact chassis allows us to perform all kinds of work in the vineyard without removing the frame or snagging the plant growth. The time saved is significant, especially during periods of high activity!

Robin Thomas
SCEA Château de Clam
SAINT-GEORGES D'ANTIGNAC - FRANCE

MULTIVITI BASICS



MULTIFUNCTION



USER-FRIENDLY



SAFE



MULTIVITI 20

MULTIFUNCTION

- Five PELLENC functions: pre-pruning, pruning, wire lifting, leaf removing, and trimming.
- Works with other equipment.
- Change tools in record time.

USER-FRIENDLY

- All the settings are within reach.
- The ergonomic, backlit PELLENC MULTIVITI joystick and screen incorporate all the functions and self-diagnostics of each tool coupled.
- A tool with exceptional work stability.

SAFE

- A single person can couple and uncouple tools.
- Coupling plate with safety pin.
- Simple and intuitive connection:
 - > Three push-pull connectors
 - > Two electrical sockets
- MULTIVITI 20, 40, or 1- and 2-row straddle tractor: Four versions available for working comfortably and safely in all situations.

MULTIVITI

- **Optimal stability** for all tools in the range.
- The **ideal weight distribution** makes it possible to work quickly and safely on uneven ground. These chassis are modular and user-friendly.

AVAILABLE IN 4 VERSIONS

MULTIVITI 20 FRONT COUPLING



MULTIVITI 40 3-POINT COUPLING



THE CHASSIS PROVIDES OPTIMUM VISIBILITY.

Comes with its own hydraulic unit as standard.

SAME COUPLING PRINCIPLE FOR ALL VERSIONS

Simple connection

Three push-pull connectors
Two electrical sockets



Stay-rods, turnbuckles, and pallet stand as standard

Coupling plate with safety pin



Safety cylinder

Adjustable according to the weight of the tool. Swing-back of the head in case of hooking



Anti-pollution filters protect the hydraulic components from impurities



Only on models 20 and 40

PELLENC MULTIVITI HYDRAULIC UNIT MORE POWER WITHOUT CHANGING THE TRACTOR



- 60-litre capacity
- Flow rate: 76 litres/min.
- Flow controller
- Oil cooler
- Optional central or lateral weight holder

Makes your work easier!

EACH PELLENC TOOL COMES WITH ITS SECURE STORAGE PALLET.

ADAPTABLE TOOLS



DISCO PRE-PRUNER

Simple and economical

Working speed: up to 5 km/h even in dense plant growth.

The extremely resistant **boron steel discs** do not require sharpening.

Clean **cutting** of vine shoots.

Automatic opening around posts thanks to an artificial vision system (optional).



P.74



VISIO PRE-PRUNER

Power and speed around the clock

Working speed: up to 8 km/h.

The **mulching discs** eliminate wood removal.

Pradines Blades that provide the same cutting quality as pruning shears.

Automatic opening around posts thanks to an artificial vision system (optional).



P.78



PRECISION PRUNING

Reduce costs and pruning time, without fatigue

Working speed: up to 3 km/h, day and night. Reduces pruning time by up to 90%.

Cordon tracking by vision system: quality, comfort, and fatigue-free. Intensive daily **output**.



P.82



TRELLISING MACHINE

Lift, trim, and attach trellis wires in a single run

Working speed: 4 to 5 km/h.

An unbeatable tool for vineyards with dense canopies.

The **canopy** is uniform, wind-resistant and comparable with canopies that created by manual work.

Wide range of ties.



P.104



TRIMMER WITH CUTTER BARS

Safe "pruning shears" cutting

Sturdy and quiet with no scattering of debris.

Reciprocating self-cleaning blades.

Impact-proofing.

Working speed: up to 8 km/h.



P.122



TRIMMER WITH BLADES

Rotary cut, without clogging

Adjustable pivot lower **cutting module**.

Impact-proof design.

Blades with low sap accumulation.

Working speed: up to 10 km/h.



P.123



OPTIMUM

HARVEST AND CARRY OUT ALL YOUR VINEYARD WORK!

■

Economical, comfortable, safe, and easy to operate — with the OPTIMUM carrier you can carry out all tasks in the vineyard without fatigue and in record time.

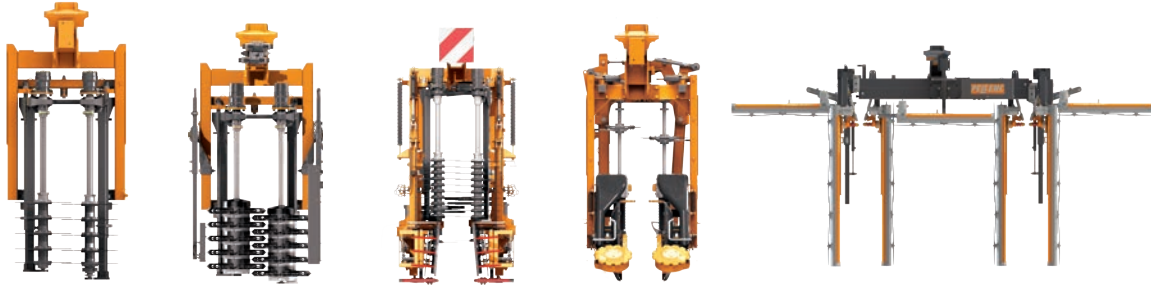
Testimonial

Learning how to operate the OPTIMUM machine is very fast and easy. Our drivers liked the EASY TOUCH console and intuitive pictograms. The new cab provides space and comfort, for long working hours. The kinematics of the harvesting head allows us to increase our work flow with an optimum harvest quality, there is very little juice in the bins and suction fan outlets. We use all the PELENC range multifunction tools on our carriers; the new steering modules allow us to turn very quickly in the headlands.

Patrick Henry
Domaine Isle Saint Pierre - FRANCE

REDUCE YOUR PRODUCTION COSTS WITH MULTIFUNCTION

FRONT COUPLING



REAR COUPLING



Spreader



Tool carrier



Sprayer



Harvesting head



COMBINED MULTIFUNCTION

THE ONLY CARRIER ON THE MARKET CAPABLE OF WORKING TWO FULL ROWS WITH TWO DIFFERENT TOOLS SIMULTANEOUSLY

The growing concerns of vine growers about the profitability of their farms, particularly in light of restrictions on herbicides, climate change, new requirements regarding pesticides, and expanding acreage are what led us to develop COMBINED MULTIFUNCTION.

The PELLENC multifunction carrier is equipped with mechanical, electrical, and hydraulic coupling systems for the quick fitting of one tool at the front of the multifunction arm and another at the rear, so that two full rows can be worked at once.



Silver medal
SITEVI - 2019

OPTIMUM MULTIFUNCTION FRONT ARM AND WEIGHT HOLDER

3MINS TO CHANGE
A TOOL

COUPLING AND UNCOUPLING WITHOUT TOOLS

A single point of connection of the hydraulic push-pulls and electrical sockets at an accessible height (same as the MULTIVITI chassis).

Automatic recognition of coupled tools.

Automatic reallocation of commands on the joystick and EASY TOUCH console for the connected tool.



ACCESSIBLE TO ALL

Digital display of arm length and height, visible from the cab.

Hydraulic adjustment of the length of the arm from the cab.

SAFE

Road approval with PELLENC multifunction tools.

Good visibility in traffic and while working.

Optimum stability on gradients and slopes with the weight holder and low centre of gravity.



OPTIMUM MULTIFUNCTION PERFORMS ALL VINEYARD TASKS

THE ONLY CARRIER WITH MULTIFUNCTION ROAD APPROVAL

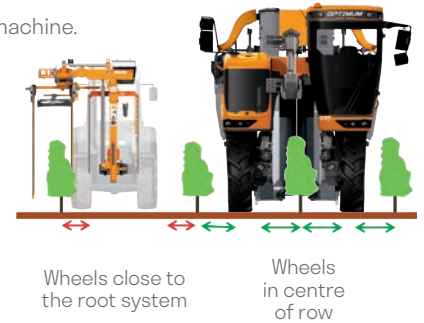
Designed for quick and comfortable travel on the road.
EASY CONNECT: ultra-quick hydraulic and electrical connections.



LONG-TERM PROTECTION FOR YOUR VINES

Root compaction limited > cm² pressure identical to that of an in-the-row tractor

- Wheels in the centre of the row.
- Tools in the centre of the machine.
- Alignment of the front/rear wheels.
- The best-balanced carrier on the market: even weight distribution front to back, and left to right.



MAINTAIN THE SOIL WITH THE MULTIFUNCTION TOOL CARRIER

Two rows in a single pass

Practical: automatically adapts to the plantation width.

Economical: quicker ground work than with a tractor.

Multifunction: you can attach any type of soil-maintenance tool.

P.32



PRE-PRUNING WITH DISCO

Simple and economical

Average working speed: 5 km/h, even in dense plant growth.

Extra-strong boron steel discs (no sharpening needed).

Automatic opening around posts thanks to the artificial vision system (optional).

Clean **cutting** of vine shoots.

P.74



HARVEST WITH THE OPTIMUM HARVESTING HEAD

Full range: a harvesting head suited to your vineyard.

High **working speed**.

Optimised harvest **quality** and sorting.

P.50



PRE-PRUNING WITH VISIO

Power and speed, night and day

Working speed: up to 8 km/h.

Pradines Blades: the same cutting quality as pruning shears.

Automatic opening round posts thanks to the artificial vision system (optional).

Cordon tracking (optional).

P.78



PRECISION PRUNING WITH TRP (PRECISION PRUNER)

Reduces your costs and pruning time without fatigue

Working speed: up to 3 km/h, night and day.
Reduces pruning time by up to 90%.

Cordon tracking with Visio.
Unmatched operator **comfort**.
Cutting quality.

P.82



SPRAYING WITH EOLE

Spraying is done in minimum time

Spray 3 to 6 rows in one run, in narrow or wide vineyards.

Maximise the effectiveness of your spray treatments with the help of on-carrier pneumatic or airblast nozzles.

Tank **volume** 2,000 or 3,000 litres.

DPA (flow rate proportional to forward speed).

Work laterally or from above.

P.94



WIRE LIFTING WITH PELLENC

Lift, trim, and attach trellis wires in a single run

Working speed: 4 to 5 km/h.

An unbeatable tool for vineyards with dense plant growth.

A uniform, strong **canopy**, as good as those created by manual work.
A wide range of environmentally-friendly **ties**.

P.104



LEAF-REMOVING WITH PELLENC

Result identical to manual work—simple and fast

Suits all vineyards.

Reduced maintenance **cost**.

Low fuel consumption, with reduced power requirements.

High.

Automatically follows the trellising with the Soft Touch sensors: protects berries and vegetation.

Automatic **safety**-device activation.

P.108



SPREADING WITH TWIN BOX

Fast and accurate work

Multi use: spread manure, compost, fertiliser, soil, and powders.

Box **volume** 3.4 m³: less time on the road, more time in the vineyard.

P.114



TRIMMING WITH PELLENC

Efficient work

High **working speed:** 8 to 10 km/h.

Economical: 2 rows in one run.

Accurate: adjustable pivot, lower cutting module.

P.122

PELLENC WARRANTY

PELLENC DESIGNS AND MANUFACTURES ALL ITS MULTIFUNCTION TOOLS

One exclusive contact for all your equipment, carriers, and tools.





HARVESTING

—

HARVESTING MACHINES

OPTIMUM MULTIFUNCTION CARRIER



P.40

SELF-PROPELLED OPTIMUM

A full range to suit various plantation widths and meet all needs.



P.42

EASY TECH CAB

Comfortable, high-tech, safe, and ergonomic.



P.46

ECO-EFFICIENT CARRIER

Economical, environmentally-friendly, easy to handle and maintain.



P.50

UNMATCHED HARVESTING HEAD

Surprise yourself! All adjustments are made immediately in the cab. This high-performance harvesting head gives gentle yet effective shaking with a cleanliness rate of 99.82% in the bin.



P.56

OPTIMUM XLE DISCHARGE

Harvest non-stop with Selectiv' Process 2 on-board.

TRACTOR-TOWED RANGE



P.60

GRAPES'LINE

The new generation of towed harvesting machines.



OPTIMUM

EFFICIENCY COMBINED WITH COMFORT



AT YOUR FINGERTIPS

10.4-inch capacitive touchscreen with 100% of the machine's functions



OPTIMAL COMFORT GRAMMER SEAT

Tall backrest, heated seat, and automatic detection of an occupant by weight



PANORAMIC VIEW

Totally unobstructed view over the entrance to the row



UNRIVALLED WORKING COMFORT

Storage spaces, refrigerated compartment, USB sockets



NEW FUEL-EFFICIENT TRANSMISSION SYSTEMS

1,800 rpm at 25 km/h



NIGHT WORK

Up to 16 LED lights



15 OPERATOR-ASSISTANCE FEATURES

Including automatic positional adjustment of the harvesting head



IMPROVED QUALITY

New low-frequency shaking system



ALL-ROUND SEALING AND PROTECTION OF THE VINES

New catcher tray profile with "anti-rebound" stop



COMBINED MULTIFUNCTION

Work 2 full rows simultaneously with 2 different tools



SELF-PROPELLED OPTIMUM TOP-OF-THE-RANGE CONTROL FEATURES

COMFORT

SPACIOUS CAB

- Panoramic visibility with an unobstructed view of the row entrance.
- Air conditioned cooling and heating.
- Numerous storage spaces.
- Bottle holder.
- 20-litre refrigerated compartment.
- Bluetooth radio.
- 2 USB sockets.

USER-FRIENDLY

- GRAMMER pneumatic seat with automatic detection of an occupant by weight. This comfortable seat is also heated and has a front and rear longitudinal suspension.
- Easy access: electrically opened and closed ladder.
- Curved front windscreen: 320° panoramic field of vision.
- Sun visor.
- Cab mounted on silent blocks that absorb vibrations.
- Armrest with integrated EASY DRIVE joystick.
- Multiple settings to adapt to the body shape of each operator: armrest, electric rear-view mirrors, EASY TOUCH console, steering column.
- 2 USB sockets.



SAFETY

SECURE CAB

- ROPS (Roll Over Protection Structure) cab.
- Seat with a safety belt and presence detector.
- Safety inclinometer: operator-assistance feature to keep the machine level.
- Category 4 pressurised and filtered cab.
- A presence sensor in the seat acts as an emergency stop for the tools as soon as the driver leaves the seat.
- 1 interior rear-view mirror and 2 split wide angle electric rear-view mirrors, one of which can be folded in.
- Other safety equipment: Window-breaker hammer and fire extinguisher.

FIVE EMERGENCY STOP BUTTONS

- 1 shutdown button for the tool/harvesting head next to the EASY DRIVE joystick.
- 1 general emergency stop on the steering column: complete shutdown of the machine (including the engine).
- 3 emergency stops on the harvesting head: above each lower suction fan + 1 on the remote control of the washing platform.
- One easily-accessible battery cut-off switch.
- Multiple settings to adapt to the body shape of each operator: armrest, electric rear-view mirrors, EASY TOUCH console, steering column.
- 2 USB sockets.

AUTOMATIC PARKING BRAKE

- The parking brake is automatically activated and deactivated when the machine stops and restarts.

VISIBILITY DAY AND NIGHT

- 14 or 16 lights as standard, including 2 steering lights, 100% LED.
- 3 high-definition colour cameras with night-vision and an independent monitor (up to 4 cameras can be displayed).
- The right rear corner is equipped with 3 specific lights and a high definition camera for safe and comfortable manoeuvring.

SLOPE AND TILT VISUALISATION

- The slope percentage and the carrier's tilt level are displayed at all times on the EASY TOUCH console.
- The carrier tilt angle can be corrected on a slope of up to 28% from the joystick.



SUITABLE FOR ALL OPERATORS

EASY DRIVE: STEADY ADVANCE JOYSTICK

- 18-button joystick on a fixed pivot: no arm movement required from the operator, who can control all functions by pressing or holding the buttons.
- 100% of functions can be controlled from the joystick.
- Responsive in the field and suitable for all operators.
- Instant reset and change of direction in a single movement.
- Backlit buttons.

EASY TOUCH: TOUCHSCREEN CONTROL CONSOLE

- Control all PELLENC tools from the cab. Each function has its own intuitive pictogram. No text on the screen pages: simple to use.
- EASY TOUCH also incorporates the guide lights for the rows, speed regulator, and hectare counter.
- With EASY SMART, adjust all the harvesting settings directly.

OPERATOR ASSISTANCE

- ACTIV[®] head: automatic centring in the row with stop indicators in the cab.
- Ground detection with automatic raising.
- Programmable height limit stops: work, headland, and road position.
- Automatic parking brake as soon as the machine is stopped.
- Automatic recognition of PELLENC tools as soon as they are coupled.
- Instant display of tilt and slope percentage.



EASY TO HANDLE

COMPACT CARRIER

- PELLENC carriers have a short wheelbase, ensuring an optimal turning circle.
- A low centre of gravity for working on slopes and at a tilt in complete safety.
- Easy driving on roads and paths.

TPI 2 CONTINUOUS ALL-WHEEL-DRIVE AS STANDARD ON ALL OPTIMUM CARRIERS

TPI 2 continuous all-wheel-drive is a system that prevents slipping, whatever the speed of the machine and the turning angle (e.g. at the headland). The wheels receive the same oil flow rate at all times, even in the event of a loss of grip. The TPI 2 system stretches the limits of grip.

EASY TURN STEERING SYSTEM

- Record ease of handling at headlands: When turning, the rear inner wheel reverses to shorten the turning circle and reduce the space required to manoeuvre.
- Work row by row without additional manoeuvring.
- On steep slopes or at a severe tilt, the headland brake locks the inner rear wheel to maintain optimal grip.



SHORT WHEELBASE:

2.74 M*

+

**EASYTURN 95°
TURNING ANGLE**

=

**TURNING CIRCLE: 3.3 M*
> TIME SAVING**

*(L10 carrier with harvesting head)

Record ease of handling at the headland
Work row by row without additional manoeuvring
The inner rear wheel reverses to shorten
the turning circle

SELF-PROPELLED OPTIMUM ECO-PERFORMANCE

COST-SAVING

OPTIMISES EVERY DROP OF FUEL

- The EASY POWER system automatically adapts the engine speed to the needs of the tools and the carrier. This intelligent system ensures minimum fuel consumption both at work and on the road.
- ECO mode changes the engine power management. It revs up less abruptly and less often. Eco mode lets you save up to 10% on fuel.
- The operator can manually increase the engine speed from the EASY TOUCH console for engine preheating or to facilitate specific tasks.
- The supervisor on EASY TOUCH lets you evaluate the actual fuel savings.
- The speed limiter regulator stabilises fuel consumption while working.

ECO-FRIENDLY

NEW PERKINS STAGE 5 ENGINE: 7 TIMES LESS POLLUTION THAN A TIER IV INTERIM ENGINE

- The Perkins engine is equipped with an exhaust fumes treatment system to comply with the latest emission standards.

QUICK AND EASY MAINTENANCE

WITHIN EASY REACH AND NO TOOLS REQUIRED

- Directly on your EASY TOUCH control console, maintenance operations are recorded with an hour counter to anticipate servicing requirements.
- The maintenance and greasing points and access to the various filters (hydraulic system and motor) are all within easy reach.
- Reduced greasing intervals: every 20 hours for the harvesting head (without food-compatible grease) and every 200 hours for the carrier.
- All the components of the flexible sorting conveyor are replaceable and mounted on interchangeable skids.
- Continuous self-diagnostics with error messages displayed on the EASY TOUCH console.

NEW



Perkins engine
173 HP on the L.20



SELF-PROPELLED OPTIMUM COMBINED MULTIFUNCTION



HARVESTING

THE ADVANTAGES OF COMBINED MULTIFUNCTION



USER-FRIENDLY FOR THE OPERATOR

- Automated systems that make the operator's job easier
- Coupling and uncoupling at an accessible height + hydraulic coupling (less time consuming)



COST-SAVING

- Faster amortisation of machines
- Fuel-saving
- Labour-saving



OPTIMISED FARM MANAGEMENT

- Time saving in the field
- Jobs carried out when the moment is right
- **Farm productivity is two to four times higher than with an in-the-row tractor**

VINE GROWING

SERVICES

SELF-PROPELLED OPTIMUM COMBINED MULTIFUNCTION

FEATURES

There is no equivalent on the market. This is the only carrier capable of working 2 full rows with 2 different tools. That ability to use a combination of tools simultaneously required our engineers to develop the carrier's hydraulic, electrical, and electronic capabilities.

The machine's intelligence lies in its control console and touchscreen panel, which enable the operator to control two tools simultaneously using a wide range of automated systems. The interface is designed to make the operator's job easier and safe.



Simultaneous control of two tools from the control console

EXAMPLE OF AN ASSEMBLY

PRESENTATION OF THE OPERATOR-ASSISTANCE FEATURES IN THE CASE OF THE FOLLOWING ASSEMBLY:

- Front tool on the multifunction arm: 1 full row trimmer + 2 x 1/2 row trimmers (= 2 full rows).
- Rear tool: Tool holder equipped with 2 cultivators (with or without inter-vine probes).

OPERATOR-ASSISTANCE FEATURES OF THE TRIMMER:

- Automatic width adjustment of the cutter bars from the cab (information on the plantation width and the canopy).
- Automatic folding and unfolding of the exterior cutter bars.
- The height adjustment and extension of the multifunction arm are also automated.
- These automated systems are linked to the start-up of the cutter bars and are carried out in hidden time while the driver turns around at the headland.



Mounting tools on the carrier takes very little time



Trimmer on the multifunction arm



OPERATOR-ASSISTANCE FEATURES OF THE REAR TOOL HOLDER

It is equipped with 2 INDEPENDENT tool-holder arms, each working one row with the following automated functions:

- AUTOMATIC centring system between the vines thanks to the 2 probes located in front of the tools (width adjustment to adapt to different plantation widths).
- To facilitate the resumption of work in the rows, the arms are re-centred behind the carrier to move on to the next row with perfectly aligned tools.
- The height of each arm is also managed thanks to the ground probes. This means the whole assembly can work at a tilt.
- The hydraulics of the tool holder deliver power to the cylinder. The cylinder raises the rear tool when the arm is raised: this significantly reduces the need for manoeuvring room at the headland.



Centring probes on the tool holder arms



Ground probe of the tool holder arm



Tool lifting

OPERATING THE TWO TOOLS WHILE WORKING

While working, the operator can manage the start-up of the two tools by pressing twice on the joystick:

- The controls are managed by “double-clicking”. The start-up of the front tool is managed by the first click and the start-up of the rear tool by the second click. This lets the operator take account of the carrier’s progress in the row.
- Each time the tools are switched on or off, the automated systems on each tool save time at the headlands and free the operator from all the constraints associated with each tool.



Tool control from the EASY DRIVE Joystick

SELF-PROPELLED OPTIMUM HARVESTING HEAD: AN UNMATCHED HARVEST

ACTIV' HEAD AUTOMATIC ROW-TRACKING SENSOR

- Two position probes automatically align the harvesting head in the row.
- The ACTIV' system optimises the efficiency of shaking, without damaging the trellising and plants.
- The movement of the harvesting head is proportional to the ground speed.
- Improves working comfort.
- Increases the service life of wear parts.



NEW LOW-FREQUENCY SHAKING SYSTEM

THE ADVANTAGES



MACHINE

A longer service life
for the shakers



OPERATOR

Working comfort



VINEYARD

Protection
of the plant



HARVEST

Improved
quality

NEW GENERATION OF HARVESTING ARMS

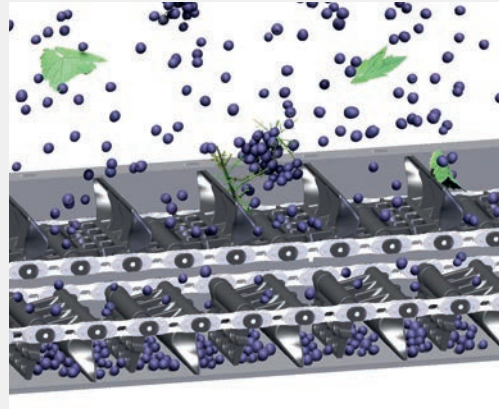
- Injected harvesting arms.
- More wear-resistance.
- No bending out of shape.
- Quick assembly with integrated fastening sleeves.
- Gentler on the plant.



REVOLUTIONARY HARVESTING SYSTEM

FLEXIBLE SORTING CONVEYOR

- The innovative design of the flexible sorting conveyor starts the sorting process from the moment the grape falls.
- Only 30% of the harvest passes under the suction fans: up to 5% more harvest.
- Semi-automatic conveyor tensioning makes maintenance easier and ensures the correct tension.
- The system can be fully dismantled, to reduce maintenance costs.
- Quick cleaning.
- No need to disassemble the conveyors at the end of the season.



L-SHAPED DESIGN OF THE CONVEYOR

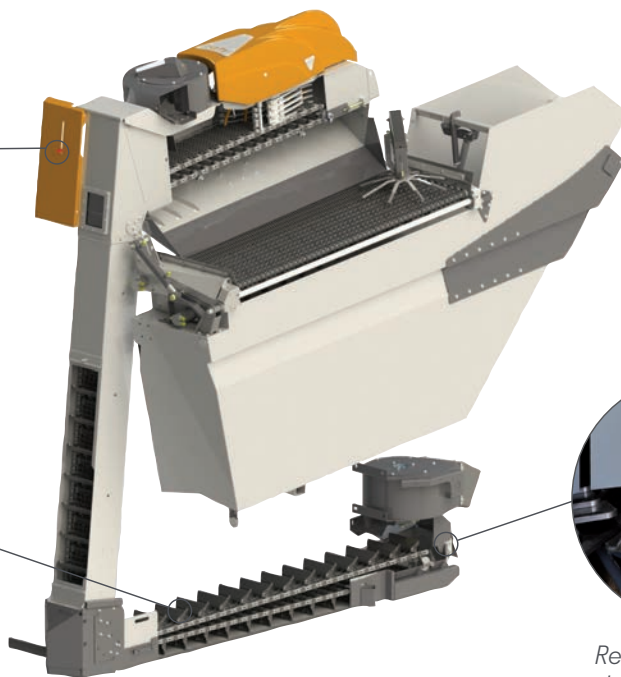
- The conveyor is open at the back to remove foreign material and avoid jamming.
- Its protective steel housing means it can work at ground level.
- The conveyor is made of stainless steel to make maintenance and washing easier.



Tension indicator of the flexible sorting conveyor



Flexible sorting conveyor

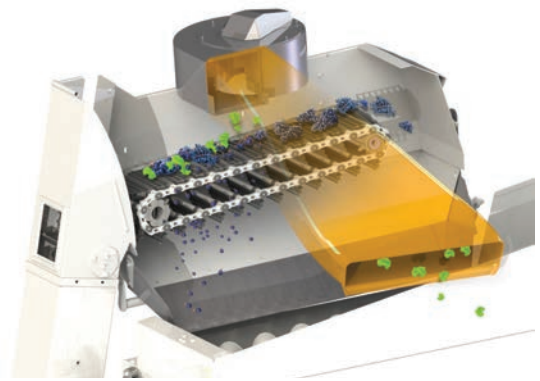


Rear opening of the L-shaped conveyor

UNMATCHED HARVEST QUALITY

SORTER

- The sorting system separates the juice from the leaves.
- The juices and berries pass through the slotted conveyor belt.
- The suction fan removes only the leaves remaining on the conveyor.
- No loss of juice.



SELECTIV' PROCESS: DESTEMMER + SORTING TABLE

- Destem and sort your harvest in the field to go directly into the tank.
- Tried and tested by over 2,000 users.

HIGH-FREQUENCY LINEAR DESTEMMER

- Destemming without loss, even with difficult grape varieties, while protecting the berries. The feeding fingers remove foreign bodies.



ROLLER SORTING TABLE AND VARIABLE SCREEN

- The solid notched feeding rollers route leaf stems to the sorting rollers.
- The sorting rollers allow the sorted berries to pass through and remove the leaf stems and other waste from the sorting table.
- The variable screen sorting table adjusts quickly to all grape varieties and all working conditions.
- 100% of leaves are removed as well as 95% of leaf stems.



BIN CAPACITY

- Total capacity of up to 3,600 litres.
- Bin emptying height of up to 3.23 metres depending on the model.
- Both bins can be emptied at once.
- Bin level displayed on the "EASY TOUCH" screen.



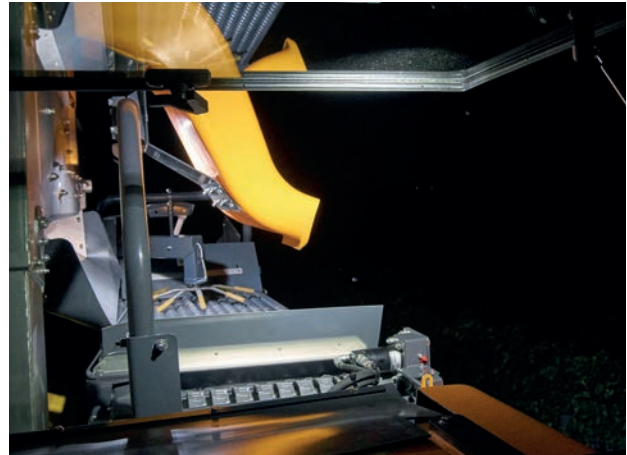
NEW SHAPE OF CATCHER TRAYS

- The new material and profile improve sealing, transfer of berries to the conveyors, and resistance to wear.
- Each catcher tray is equipped with an “anti-rebound” stop to prevent sudden impacts.
- The joint is built into the catcher tray to facilitate assembly.
- The sealing length of 2.5 to 2.86 metres ensures optimal working speed.



LIGHTING

- Up to 16 LED working lights for safety.
- 1 automatically activated reversing light.
- Lighting of the sorting tables in the SELECTIV' PROCESS version.

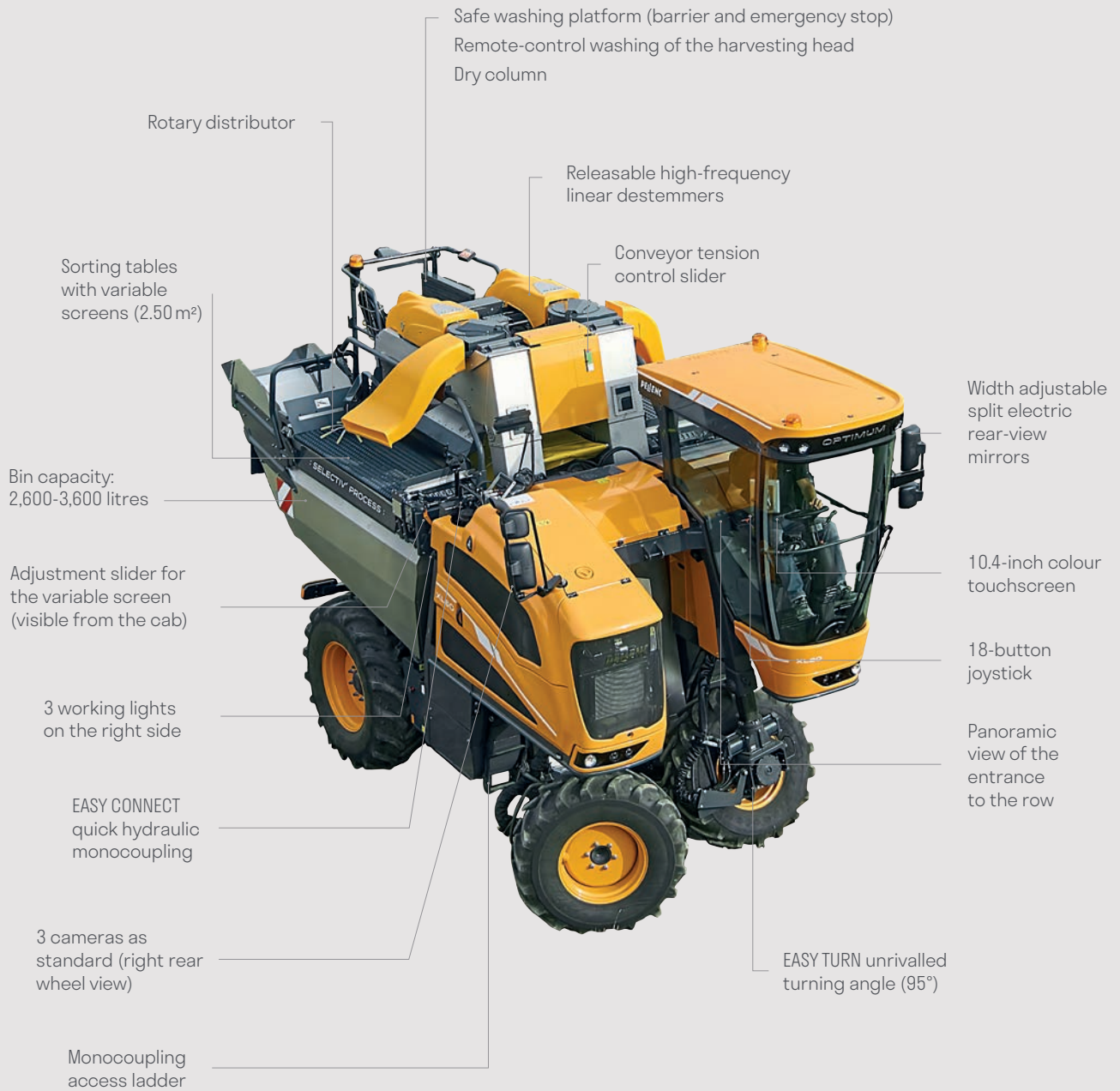


EASY WASHING AND MAINTENANCE

- The daily greasing of the harvesting head is centralised at 8 points.
- Washing takes 20-45 minutes, depending on the model, and can be done easily and safely from a wide platform.
- Water column to facilitate washing.
- The remote controls enable the retraction of the suction fans, sorting tables, and destemmers for quick and efficient cleaning.



OPTIMUM



Minimum width between your vines (m)	1.3	1.5	1.7	
				30
Maximum tilt (%)	26	26/30*		

OPTIMUM	M.10	L.10	L.20	XL.40	XL.60
Engine					
Engine	Perkins				
Rated power - HP	150		173		
Engine capacity - litres	4.4 - 4 cylinders				6.6 - 6 cylinders
Engine technology	Tier IV final				Stage 5
Road speed at 1,800 rpm - km/h	25	25	25	25	25
EASY POWER automatic engine speed control	•	•	•	•	•
Ease of handling					
EASYTURN 95° turning angle	•	•	•	•	•
Wheelbase - metres	2.74	2.74	2.74	2.91	2.91
Headland brake	•	•	•	•	•
Transmission					
TPI 2 continuous all-wheel drive	•	•	•	•	•
Gradient capacity %	35	35	35	30	35
Top-of-the-range control features					
Hydraulic access ladder	•	•	•	•	•
EASY TOUCH 10.4-inch touchscreen console	•	•	•	•	•
EASY DRIVE multifunction joystick	•	•	•	•	•
GRAMMER seat	•	•	•	•	•
Speed limiter/regulator	•	•	•	•	•
Hectare counter	•	•	•	•	•
Air conditioning	•	•	•	•	•
Safety					
ROPS cab structure	•	•	•	•	•
Pressurised and filtered cab (NF EN 15695-1 and -2)	•	•	•	•	•
Electronic inclinometer	•	•	•	•	•
Split electric rear-view mirrors	•	•	•	•	•
12 LED working lights, including 2 steering lights	•	•	•	•	•
2 night-vision cameras (front strut + rear-view mirror)	•	•	•	•	•
Automatic parking brake in neutral	•	•	•	•	•
Multifunction					
EASY CONNECT hydraulic monocoupling	•	•	•	•	•
Combined multifunction	•	•	•	•	•
New multifunction arm	•	•	•	•	•
Tyres					
Front	340/80 R20	400/70 R24	400/70 R24	400/70 R24	400/80 R24
Front as an option	400/70 R24	-	-	-	-
Rear	320/85 R32	400/70 R24	400/70 R24	460/70 R24	480/70 R28
	400/70 R24	320/85 R32	320/85 R32	400/80 R24	540/65 R28
Rear as an option	460/70 R24	460/70 R24	460/70 R24	500/70 R24	-
	-	500/70 R24	500/70 R24	-	-

CARRIER

Harvesting head	M.10		L.10/20		XL.40/60		
	M	M SP2	L	L SP2	XL	XL SP2	XLE SP2
ACTIV' automatic head centring	•	•	•	•	•	•	•
New NSBF low-frequency shaking system	•	•	•	•	•	•	•
Pairs of harvesting arms (standard/maximum)	5/11	5/11	5/11	5/11	5/11	5/11	8/11
EASY SMART shaking adjustment from the cab	•	•	•	•	•	•	•
Grouped greasing	•	•	•	•	•	•	•
Post detector/shock protector	•	•	•	•	•	•	•
Length of lower sealing - metres	2.5	2.5	2.62	2.62	2.86	2.86	2.86
Flexible sorting conveyor with assisted tensioning	•	•	•	•	•	•	•
Conveyor locking safety mechanism + reverse gear	•	•	•	•	•	•	•
Minimum harvesting height - cm	15	15	15	15	15	15	15
Two height-adjustable lower suction fans	•	•	•	•	•	•	•
Harvest sorter (2 upper suction fans) + 2 LED lights	•	•	•	•	•	•	•
SELECTIV PROCESS 2: Sorter + destemmer + sorting table	-	•	-	•	-	•	•
2 SP2 upper suction fans + 2 LED lights	-	•	-	•	-	•	•
Bin capacity - litres	2 x 1,300	2 x 1,300	2 x 1,500/1,300*	2 x 1,500/1,300*	2 x 1,800	2 x 1,800	-
Reversible distributing auger	•	•	•	•	•	•	-
Bin level indicator	•	•	•	•	•	•	•
Emptying height - metres	2.72	2.72	2.83/3*	2.83/3*	3.23	3.23	-
Emptying arm + buffer bucket	-	-	-	-	-	-	1 x 800 litres
Remote control washing	•	•	•	•	•	•	•
Dry column with hose and connection	•	•	•	•	•	•	•
Ground detection	•	•	•	•	•	•	•
1 rear night-vision camera	•	•	•	•	•	•	•
2 LED working lights	•	•	•	•	•	•	•

HARVESTING HEAD

Overall dimensions: Carrier + harvesting head						
Length - metres	5.72	5.72	5.72	6.01	6.01	
Height - metres	3.48	3.48	3.48	3.68	3.68	
Width at the rear wheels (fitted as standard) - metres	2.13	2.46	2.46	2.78	2.78	
Width at the bottom of the bins - metres	2.28	2.55	2.55	2.8	2.8	

• Standard equipment ○ or * Available as an option - Not available

HARVESTING

VINE GROWING

SERVICES



XLE SIDE DISCHARGE

**HARVEST NON-STOP
WITH SELECTIV' PROCESS 2
ON-BOARD**

SIDE DISCHARGE BASICS



PRODUCTIVE



EXCELLENT WORK QUALITY



INTUITIVE CONTROLS



Discharge into adjacent rows



Turn on/off sorting with a single click

PRODUCTIVE

- Harvest with SELECTIV' PROCESS 2.
- Pick non-stop by discharging sorted berries into another tractor trailer.
- Hold 0.8 tonnes in the on-board buffer bin when changing trailer bin or turning at headlands.

EXCELLENT WORK QUALITY

- Fully adjustable sorting table.
- Flexible Sorting Conveyor: up to 5% more harvest collected.
- SELECTIV' PROCESS 2: 99.82% cleanliness.
- Upper and lower fans to remove MOG (Material Other than Grapes).
- Ability to use 4 fans **with or without** sorting activated.

INTUITIVE CONTROLS

- Icon-based touchscreen and intuitive joystick controls.
- The extendible arm is controlled via the keypad on the joystick.
- Cab video display shows the discharge arm output to make adjustments as needed.
- Accessible control pad on top of the harvesting head for easy cleaning.
- Memorise extension arm position with a simple click to set working position and headland position.

SIDE DISCHARGE ARM (XLE)

HARVEST NON-STOP



OPTIMUM XLE - SP2

XLE-SP2 OPTIMUM harvesting head with side discharge arm comes standard with Selectiv' Process 2 on board!

The XLE allows you to harvest directly to trailer bins by using the side discharge conveyor for long rows. The perfect solution for low and high yield vineyards.

SIDE DISCHARGE ARM (XLE)

HARVEST NON-STOP



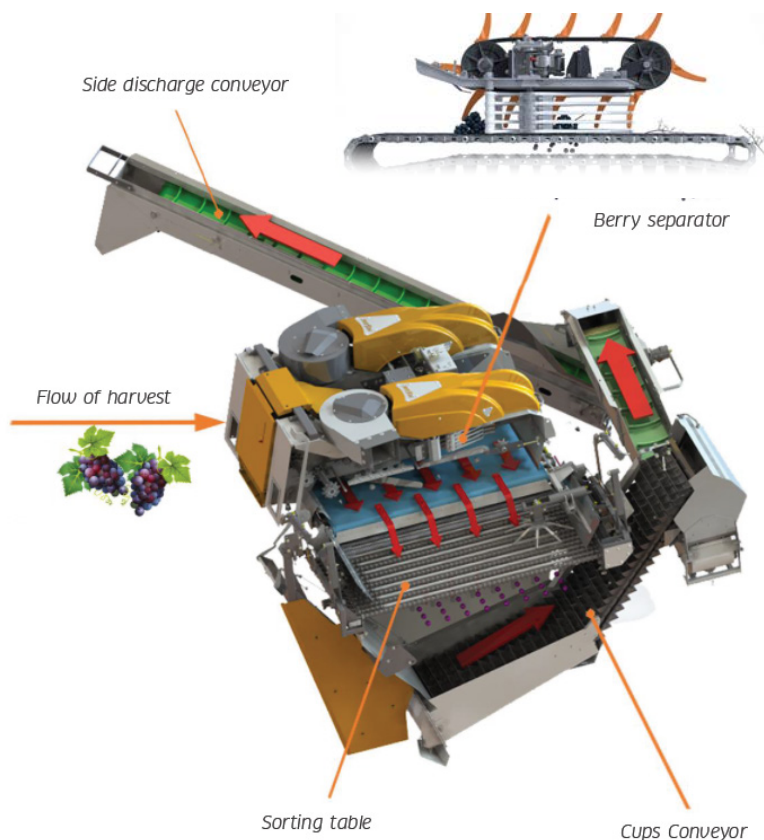
CONTINUOUS PICKING SYSTEM

For best-in-class working efficiency, the XLE (Side Discharge Arm Picking Head) includes a buffer bin that allows you to store up to 0.8 ton when changing trailer bin or turning at headlands.

Harvest non-stop throughout the day or night to instantly increase your efficiency.

With a simple click, the berries are redirected from the bin to the discharge conveyor.

For full specifications, please go to page 55 (optimum spec sheet).





GRAPES'LINE

**THE NEW GENERATION OF MULTIFUNCTION
TOWED HARVESTING MACHINES**

GRAPES'LINE BASICS



EFFICIENT



EXCELLENT WORK QUALITY



USER-FRIENDLY



EASY TO HANDLE



GRAPES'LINE in the vineyards



Control interface

EFFICIENT

- Harvesting capacity identical to a self-propelled harvester.
- 50% cheaper than a self-propelled machine.
- Fuel economy through ECO POWER management: optimised power take-off according to the machine's hydraulic requirements.
- Total collector-bin capacity of up to 3,600 litres.

EXCELLENT WORK QUALITY

- Flexible Sorting Conveyor: up to 5% more harvest in your collector bins!
- New catcher tray shape: optimal sealing.
- New generation harvesting arm.
- SELECTIV PROCESS: 99.82% cleanliness.

USER-FRIENDLY

- 7-inch touchscreen.
- Safe washing platform.
- Remote-control washing.
- Grouped greasing.

EASY TO HANDLE

- Self-guidance in the row.
- Semi-automatic tilt correction.
- Optimised turnaround at headlands with the wide-angle drawbar.
- AUTO TORQUE drive: machine-independent on slopes and headlands.

CONTROL INTERFACES



“EASY DRIVE” CONTROL

- All your GRAPES'LINE functions on the PELLENC joystick.

ALL MODELS

INTERFACE WITH REMOTE CONTROLS ON MACHINE

- Simple control and use of harvesting parameters from the machine.

MODELS 40, 45, AND 70

“EASY TOUCH” INTERFACE:

- 7-inch touchscreen.
- The harvest parameters are controlled from the cab on the EASY TOUCH console.
- Pictograms and intuitive menus.
- Working comfort.

MODELS 60 AND 80

Operator assistance

- Automatic height limit stops at work and at headlands.
- Ground detection with probes.
- Instant display of slope, gradient percentage, and machine height.
- Bin-level indicator.
- Hectare counter.

EASY HANDLING



IN THE ROW

- With the “ACTIV” self-guidance system, the harvesting head is automatically centred in the row. Joystick buttons always take priority. An alarm notifies the driver if there is a blockage from a foreign body, the vineyard is always protected.
- Tilt correction up to 70 cm allows working on any ground surface.



AT HEADLANDS

- The articulated coupling helps attachment and improves safety.
- The wide-angle drawbar helps manoeuvring at the headland.
- The “AUTO TORQUE” drive controls the power to the wheels, even at headlands, without the need for the joystick.

ON THE ROAD

- The wide-angle drawbar keeps the harvesting head in line with the tractor on the road.
- The bins are only 2.50 metres wide, which makes manoeuvring and driving on the road easier.

GRAPES'LINE

Sorter

Flexible Sorting Conveyor with semi-automatic tensioning

Hydraulic unit

New "Eco Power" hydraulic management

Automatic chute-closure valves

Washing platform + remote controls = direct access to washing points

Reversing camera

Bin capacity: up to 2 x 1,800 litres

Centralised greasing points



ACTIV' self-guiding system in the row

Wide-angle drawbar

Height-adjustable lower suction fans

AUTO TORQUE drive

Tilt correction: 70 cm



NEW GENERATION OF HARVESTING ARMS



- Injected harvesting arms.
- More wear-resistance.
- No bending out of shape.
- Quick assembly with integrated fastening sleeves.
- Gentler on the plant.

NEW SHAPE OF CATCHER TRAYS



- The new material and profile improve sealing, transfer of berries to the conveyors, and resistance to wear.
- The joint is built into the catcher tray to facilitate assembly.
- The sealing length of 2.62 metres ensures optimal working speed.

REVOLUTIONARY HARVESTING SYSTEM

Flexible sorting conveyor

- The innovative design of the flexible sorting conveyor starts the sorting process from the moment the grape falls.
- Only 30% of the harvest passes under the suction fans: up to 5% more harvest.
- Semi-automatic conveyor tensioning makes maintenance easier and ensures the correct tension.
- The system can be fully taken apart to reduce maintenance costs.
- Quick washing.
- No need to disassemble the conveyors at the end of the season.

L-shaped design of the conveyor

- The conveyor is open at the back to remove foreign material and avoid jamming.
- It's protective steel housing means it can work at ground level.
- The conveyor is in stainless steel to make maintenance and washing easier.



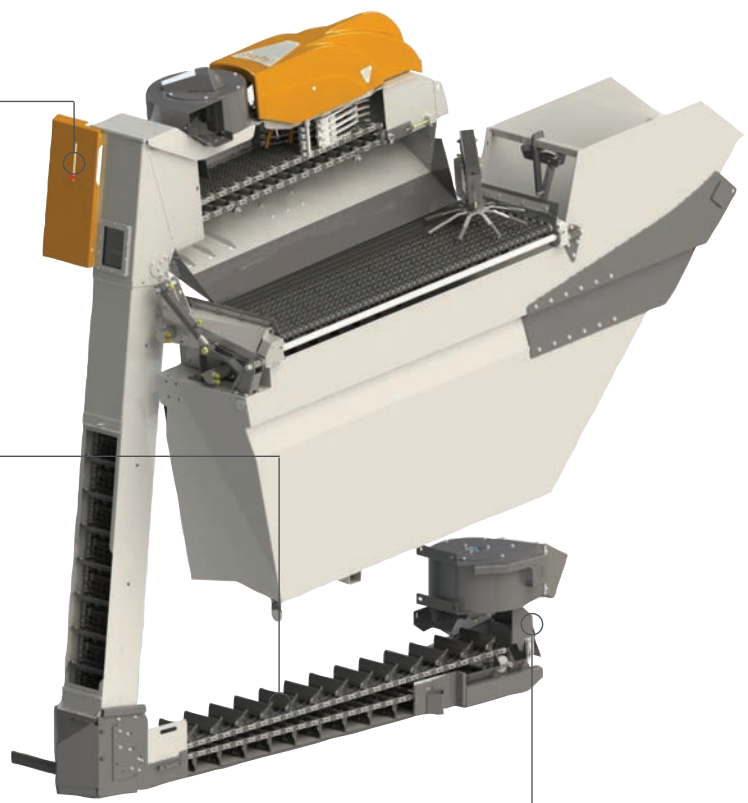
Tension indicator of the flexible sorting conveyor



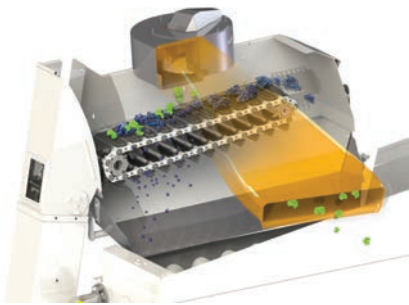
Flexible sorting conveyor



Rear opening of the L-shaped conveyor



UNMATCHED HARVEST QUALITY



SORTER

- Sorting system that separates the juice from the leaves.
- The juice and the destemmed grapes pass through the slotted conveyor belt.
- The suction fan removes only the plant debris remaining on the conveyor.
- No loss of juice.



"SELECTIV' PROCESS": DESTEMMER + SORTING TABLES

DESTEMMER

- Destem and sort your harvest in the field to go directly into the tank.
- Tried and tested by over 2,000 users.

HIGH-FREQUENCY LINEAR DESTEMMER

- Destemming without loss, even in difficult grape varieties, while preserving the berries. The feeding fingers remove foreign bodies.



ROLLER SORTING TABLE AND VARIABLE SCREEN

- The solid notched feeding rollers route leaf stems to the sorting rollers.
- The sorting rollers allow the sorted berries to pass through and remove the leaf stems and other waste from the sorting table.
- The variable screen sorting table adjusts quickly to all grape varieties and all working conditions.
- 100% of leaves are removed as well as 95% of leaf stems.



BIN CAPACITY

- Total capacity of up to 3,600 litres.
- Emptying height: 3 metres.
- Both bins can be emptied at once.
- Bin level displayed on the "EASY TOUCH" screen.

SMART HYDRAULIC MANAGEMENT

HYDRAULIC UNIT

- The machine's hydraulic unit is independent.
- The control unit is coupled separately from the machine, which helps at both left and right headlands, without worrying about the height of the machine.
- Quick-fit onto the tractor.



“ECO POWER” CONTROL

- Optimisation of power take-off according to the machine's hydraulic requirements, in order to ensure the lowest possible engine speed and save on fuel.

AUTO TORQUE DRIVE SYSTEM

- The machine adjusts its speed automatically to that of the tractor, depending on the traction force on the coupling ring.
- The machine is independent in all working situations: forward or reverse, as well as at headlands.
- The driver can concentrate on driving.
- The “AUTO TORQUE” automatically supplies the power needed at the right time, without the driver having to do anything.
- The “AUTO TORQUE” drive can handle slopes of up to 30%.

EASY TO MAINTAIN

- Nine greasing points for daily greasing.
- Cleaning takes 20-45 minutes, depending on the model, and is easy to do from a safe platform.
- Water column to make washing easier.
- A remote control opens the suction fans, sorting tables and the destemmers.



SAFETY

- On models with EASY TOUCH, there is a colour night-vision camera fitted at the rear. This activates automatically for reversing or bin emptying.
- There is always an emergency stop button within reach: on the joystick, at the rear of the machine, and on the washing platform.
- Various alarms are fitted as standard, for complete safety.



TECHNICAL FEATURES

GRAPES/LINES	40	45	60	70	80
DIMENSIONS					
Minimum plantation width	1.50 m	1.50 m	1.50 m / ○ 1.40 m	1.50 m	1.50 m
Tractor power required	55 HP	55 HP	70 HP	80 HP	80 HP
Overall height (m)	3.13 m	3.13 m	3.38 m	3.42 m	3.42 m
Bin width (m)	2.50 m	2.50 m	2.50 m / ○ 2.20 m	2.50 m	2.50 m
Maximum tilt:	27%	27%	27%	27%	27%
Maximum gradient without sorting equipment	15%	30%	30%	—	—
Maximum gradient with sorting equipment	—	—	—	25%	25%
Tyres	380/70-18	400/70-20	400/70-20	400/70-20	400/70-20
Tyres option			440/65R20 500/45-R22.5	440/65R20 500/45-R22.5	440/65R20 500/45-R22.5
CONTROL INTERFACE					
EASY DRIVE joystick	●	●	●	●	●
EASY TOUCH 7" screen	—	—	●	—	●
Remote controls	●	●	—	●	—
HYDRAULIC MANAGEMENT					
"AUTO TORQUE" drive	—	●	●	●	●
Wheel motor with hydraulic brake	—	●	●	●	●
Dual-line hydraulic braking	—	—	●	●	●
Hydraulic attitude correction	—	○	●	●	●
ECO POWER mode	—	—	●	●	●
OPERATOR ASSISTANCE					
Tilt display	—	—	●	—	●
% slope display:	—	—	●	—	●
Working-height display	—	—	●	—	●
Upper and lower stops	—	—	●	—	●
Ground detection	—	—	●	—	●
Hectare counter	—	—	●	—	●
SAFETY					
Number of emergency-stop buttons	3	3	4	4	4
Reversing alarm	—	—	●	—	●
Bin-lowering alarm	—	—	●	—	●
Rear camera visible on EASY TOUCH	—	—	●	—	●
Working lights	—	—	●	—	●
Tilt correction	—	—	●	—	●
HARVESTING HEAD					
Auto-guidance with blocking alarm	●	●	●	●	●
Post shock protector	○	○	○	○	○
Post detector	—	—	○	—	○
Sealing length at ground level	2.50 m	2.50 m	2.62 m	2.62 m	2.62 m
Harvest transport by flexible sorting conveyor	●	●	●	●	●
Safety in the event of conveyor blockage	●	●	●	●	●
Semi-automatic tensioning of the flexible sorting conveyor	●	●	●	●	●
Two height-adjustable lower suction fans	mechanical	mechanical	without tools	without tools	without tools
Leaf sorter	—	—	●	—	—
Sorting device: Destemming + sorter table	—	—	—	SELECTIV' PROCESS	SELECTIV' PROCESS
Bins	2 x 1,500 litres	2 x 1,500 litres	2 x 1,800 litres	2 x 1,600 litres	2 x 1,600 litres
Optional bins	—	—	○ 2 x 1,250 litres	—	—
Bin auger	●	●	●	●	●
Bin-level indicator	—	—	●	—	●
Bin-emptying axis height:	3 m	3 m	2.9 m	2.9 m	2.9 m
MAINTENANCE					
Grouped greasing points	●	●	●	●	●
Remote control washing	—	—	●	●	●
Safe access platform	—	—	●	●	●

- Standard equipment
- Optional





VINE GROWING

THE PELLENC RANGE OF PRODUCTS



P.74

DISCO PRE-PRUNER

The pre-pruner that lets you work more cost-effectively.



P.90

FIXION 2 TYING MACHINE

The quick, easy-to-use tying machine that makes vineyard work easier.



P.78

VISIO PRE-PRUNER

Work quickly even in dense vegetation.



P.94

EOLE SPRAYER

Localised spraying without drift in minimum time.



P.82

PRECISION PRUNER

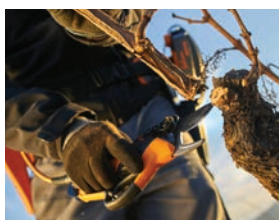
Reduces pruning time by up to 90%.



P.104

TRELLISING MACHINE

Lift, trim, and attach trellis wires in a single run.



P.86

VINION PRUNING SHEARS

Easy to handle, lightweight pruning shears, the fastest available.



P.108

SOFT TOUCH 2 LEAF REMOVER

The leaf remover that lets you work more cost-effectively.



P.128

MULTIVITI TRIMMER

Resistant, fast, low maintenance, and economical thanks to the multifunction chassis.



P.114

TWIN BOX SPREADER

Two-row spreading for fertilisers and soil additives.



P.132

TWO-ROW TRIMMER

Quality two-row trimming for your vines with clean-cutting rotating blades.



P.118

CULTIVION SOIL CULTIVATOR

For tilling and weeding.



P.136

OPTIMUM TRIMMER

Quality two-row trimming for your vines with clean-cutting rotating blades.



P.124

PANORAMA TRIMMER

Resistant, fast, and very low maintenance.



DISCO

SIMPLE AND ECONOMICAL

—
Work more cost effectively with the DISCO pre-pruner. Its simplicity allows it to work quickly and efficiently and means that it's easy to maintain.

Testimonial

We have been using our DISCO pre-pruner for the past three seasons. Every year, we effortlessly pre-prune 90 hectares with it mounted on our medium-power tractor. In use, its light weight allows us to work quickly in all our vineyard plots, including the most uneven. Its small footprint and reduced overhang are key to its exemplary stability on tilts. Its simple design makes maintenance quick and easy, and offers clear visibility of the row being worked. And it's so comfortable for the operator! Simple and effective, it achieves quality work regardless of the amount of wood in the row, and without extra wear—we didn't have to change any part during the time we worked the 270 hectares.

Alain Bonnelly
Domaine Le Coulet Rouge
Ventoux Region - Roussillon - FRANCE

DISCO BASICS



COST-SAVING



CLEAN CUTTING



USER-FRIENDLY



DISCO PLD 20 at work



Precise adjustment of the discs for a clean cut

COST-SAVING

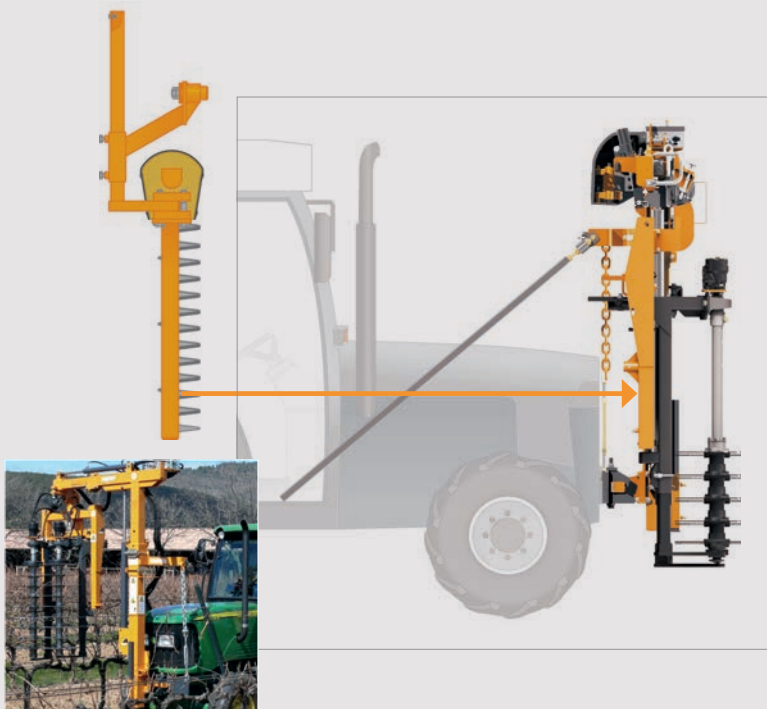
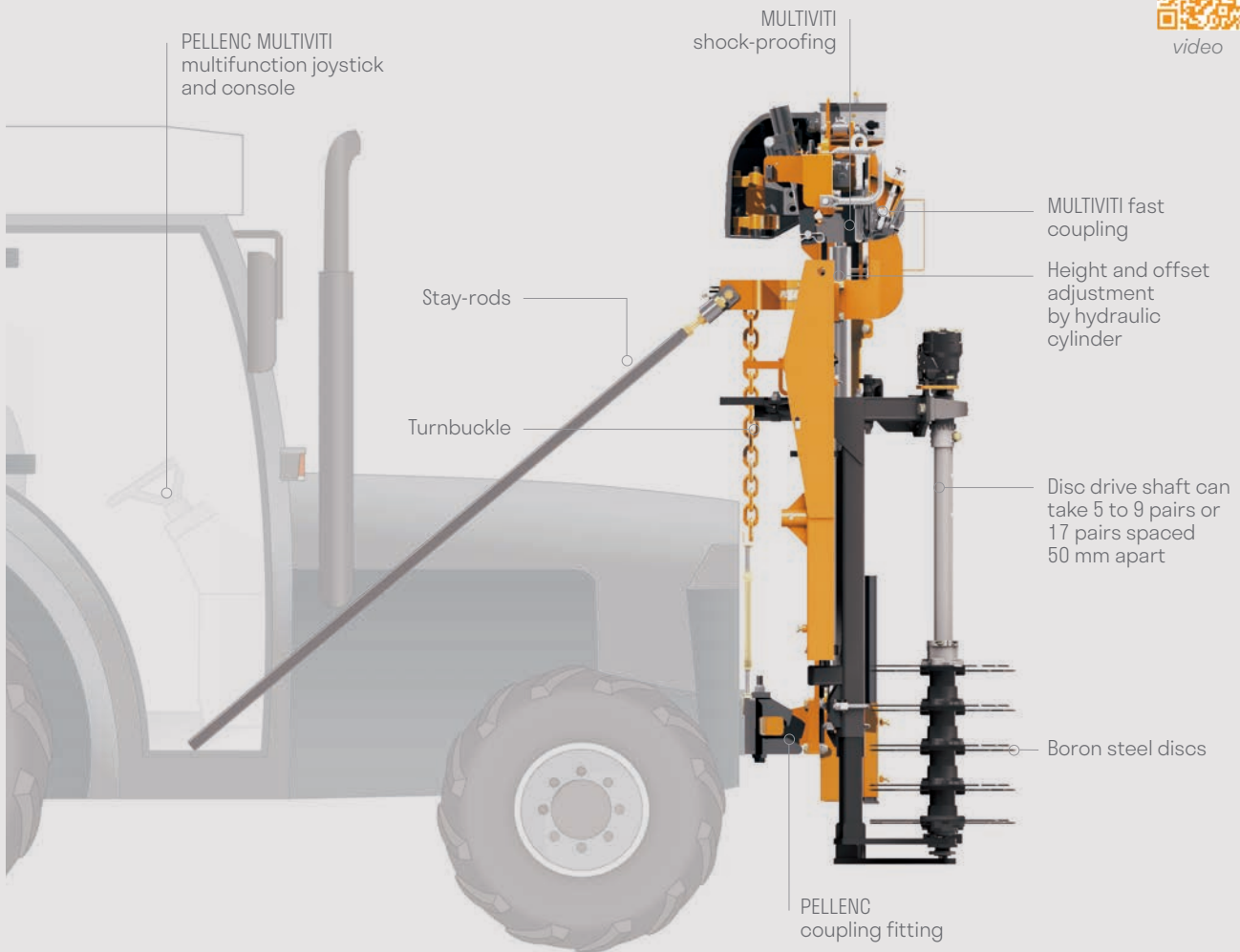
- Working speed up of to 5 km/h for optimum work, even in dense vegetation.
- Low hydraulic requirement (25 litres/min).
- No sharpening of discs required.
- No more removing wood.

CLEAN CUTTING

- Good grip of vine shoots and clean cutting with the specially shaped discs.
- Cutting close to the cordon by precise adjustment of the distance between the two lower discs.
- Each stack of discs is adjustable in relation to the other for better cutting quality and easier removal of tendrils.

USER-FRIENDLY

- Very quiet operation.
- Electrical control of all functions.
- Joystick and ergonomic console.
- The artificial vision system (optional) aids the driver and maximises work performance.



LATERAL CUTTER BARS (optional)

Lateral cutter bars (60 cm high) take out hanging vine shoots.

This option saves considerable time when pruning.

AUTOMATIC POST DETECTION AND CORDON TRACKING BY VISION SYSTEM

Driver working comfort: at night, in the rain, or in the sun.

Quality work without the stress.



Boron steel disc

PELLENC boron steel discs have a long service life and do not need to be sharpened.



3 MINS

TO CHANGE TOOLS

TECHNICAL FEATURES



	PCD 00	PLD 20	MULTIVITI PCD	MULTIVITI PLD	TLVP
Shaft head with	Short arms	Long arms	Short arms	Long arms	Long arms
Number of pairs of bevelled discs spaced 100 mm apart	From 3 to 6	From 5 to 9	From 3 to 6	From 5 to 9	Up to 11
Number of pairs of bevelled discs spaced 50 mm apart	From 6 to 11	From 10 to 17	From 6 to 11	From 10 to 17	Up to 21
Pairs of 60 cm long lateral cutter bars	-	o	-	o	o
Pairs of 45 cm diameter lateral discs	-	-	-	-	o
Coupling	On straddle tractor	On in-the-row tractor	MULTIVITI 20 or 40	MULTIVITI 20 or 40	PELLENC multifunction arm
Fast coupling fitting and stay-rods	•	•	•	•	-
Disc speed adjustment	Manual	Manual	From the console	From the console	From the console
Electric control of all functions	•	•	•	•	•
Height adjustment and angle settings controlled by hydraulic cylinders	-	20 chassis	MULTIVITI chassis	MULTIVITI chassis	PELLENC multifunction arm
Automatic post detection by vision system	o	-	o	o	o
Automatic cordon tracking by vision system	-	-	-	o	o
Hydraulic tilting, for lyre vines	-	-	o	o	-
Pair of opening rollers	o	-	o	o	-
Tilt/safety suspension strap	o	20 chassis	MULTIVITI chassis	MULTIVITI chassis	PELLENC multifunction arm
Delivered on a pallet stand	•	•	•	•	•

• Standard equipment

o Optional



VISIO

UNRIVALLED PRE-PRUNING QUALITY

Work fast and efficiently, even in dense vegetation with the semi-automatic pre-pruner! Thanks to its VISIO artificial vision technology (optional), this pre-pruner works at high speed, providing cutting and mulching quality superior to disc models.

Testimonial

We use a PELLENC VISIO pre-pruner with the MULTIVITI chassis and we are completely satisfied. Mounting it on the MULTIVITI chassis is quick and easy. It takes just three minutes to mount the tool and connect the electrical and hydraulic connections. We chose the VISIO pre-pruner to save time when removing the branches and to facilitate our search for staff to perform this operation and pruning. Our drivers particularly like the VISIO automatic opening around posts, which enables them to pre-prune at 5 km/h comfortably and safely. The impact cut-off safety system is very effective and automatically resets the position of the head, avoiding the need for our drivers to get off their tractors. This means that the work-flow rate is optimised! We also applaud the low maintenance requirements of the machine both during and after the pre-pruning campaign.

Ludovic Leherle
SCEA Château Queyret Pouillac
Bordeaux Region - St-Antoine de Queyret - FRANCE

VISIO BASICS



COST-SAVING



CLEAN CUTTING



OPTIMISED TIME



USER-FRIENDLY



SAFE



"Daisy wheel" discs, a PELLENC innovation



Excellent visibility on the tool

COST-SAVING

- The mulching discs eliminate wood removal and reduce crushing on the ground.
- Quadrupling the service life of the mulching discs: reversible and left/right interchangeable.
- Low hydraulic requirements: 25-45 litres/min.

CLEAN CUTTING

- The cutting components require no sharpening.
- Pradines blades with the same cutting quality as pruning shears.
- Better cleaning of the wires and does not damage posts.

OPTIMISED TIME

- HD (Heavy Duty) for dense vegetation.
- MD (Medium Duty) for average vegetation.
- Working speed of up to 8 km/h and up to 60% time saved on pruning.

USER-FRIENDLY

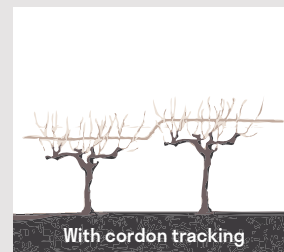
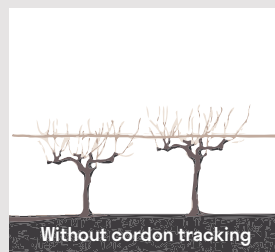
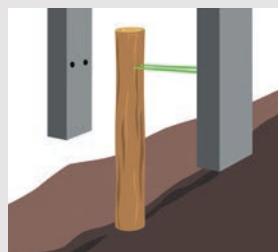
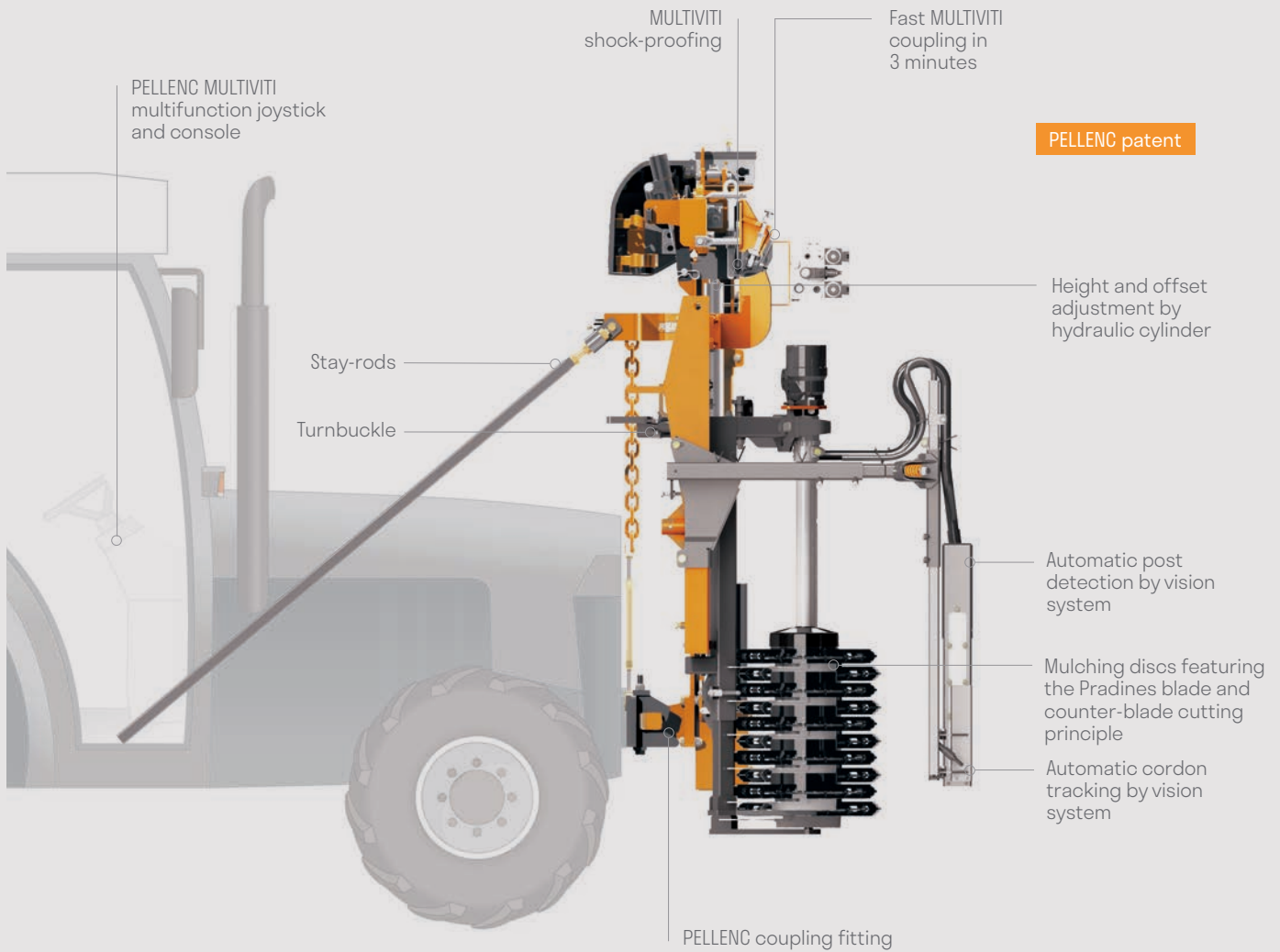
- Automatic opening around posts thanks to the artificial vision system (optional).
- You can prune efficiently both day and night.
- Quiet operation.

SAFE

- Low rotational speed (80 rpm): no scattering of debris, no sawdust.



Gold medal
SITEVI



VISIO: ARTIFICIAL VISION SYSTEM

Post detector: does not damage posts or vegetation.

Forward speed of up to 8 km/h.

Working comfort: at night, in the rain, or in the sun.

Quality work without the stress.

CORDON TRACKING WITH AUTOMATIC VISION

Better work quality than with manual operation.

Greater vine protection.

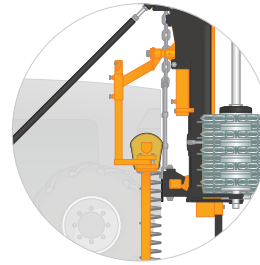
Exceptional working comfort for the driver.

The result is similar to final pruning thanks to the work of the lower discs.



“Daisy wheel” discs

- No more wood removal.
- No more collecting vine shoots from the ground.
- Fine mulching.
- Long service life.



Lateral cutter bars available as an option

- Lateral cutter bars (60 cm high) cut hanging vine shoots without scattering debris.



LOWER AND LATERAL DISCS

GET CLOSER TO PERFECT PRECISION BY COMBINING VISIO WITH LOWER DISCS, AND LATERAL DISCS:

Clean cutting, just like with pruning shears.

Unrivalled cutting quality.

TECHNICAL FEATURES



	TCV 00	MULTIVITI TCV	MULTIVITI TLV MD	TLV HD MULTIVITI	TLVP
Shaft head with	Short arms	Short arms	Long arms	Long arms	Long arms
Number of pairs of mulching discs	3 to 6	3 to 6	5 to 9	7 to 9	Up to 11
Pairs of 60 cm long lateral cutter bars	–	–	○	○	○
Pairs of 45 cm diameter lateral discs	–	–	–	○	○
Pair of lower discs	–	–	○	○	○
Coupling	Straddle tractor	Front coupling MULTIVITI	Front coupling MULTIVITI	Front coupling MULTIVITI	Multifunction arm on PELLENC carrier
Fast coupling fitting and stay-rods	–	●	●	●	–
Disc speed adjustment	Manual	From the console	From the console	From the console	From the console
Electric control of all functions	–	●	●	●	●
Height adjustment and angle settings controlled by hydraulic cylinders	–	MULTIVITI chassis	MULTIVITI chassis	MULTIVITI chassis	Multifunction arm
Automatic post detection by vision system	○	○	○	○	○
Automatic cordon tracking by vision system	○	○	○	○	○
Hydraulic tilting, for lyre vines	–	○	○	○	–
Pair of opening rollers	○	–	○	○	–
Tilt/safety suspension strap	–	–	MULTIVITI chassis	MULTIVITI chassis	PELLENC multifunction arm
Impact-proof cylinder	–	●	●	●	●
Delivered on a pallet stand	●	●	●	●	●
Independent hydraulic unit	○	○	○	○	–
Hydraulic flow rate (litres/min)	25	25	35	45	Carrier

● Standard equipment ○ Optional



PRECISION PRUNING

REDUCE PRUNING COSTS AND SAVE TIME WITH VISIO TECHNOLOGY

—

Reduces pruning time by up to 90%. PELLENC VISIO cordon technology: cut vine shoots in the perfect place, with precision.

Testimonial

The PELLENC TRP precision pruner speeds up pruning work on the 130 hectares of our two estates, while significantly reducing costs and workforce management. We are particularly impressed with the clean cutting quality and the ground speed of between 3 and 3.5 km/hr. We cut 1.5 hectares in an hour and a half, using one tractor and driver. Hour after hour the efficiency of cordon tracking by artificial vision is constant; pruning is conducted efficiently and without fatigue.

Ludovic Ducloux and Christophe Rebillou
Vignoble Buttignol Nelly and Vignoble Rebillou
SAINT FÉLIX DE FONTCAUDE - FRANCE

PRUNER BASICS



EFFICIENT



CLEAN CUTTING



USER-FRIENDLY



SAFE



Automatic cordon tracking by vision system.



Comfortable joystick to control all functions

EFFICIENT

- Simultaneous pruning and pre-pruning is only possible on a PELLENC carrier.
- Reduces pruning time by up to 90%.
- More uniform vines, which facilitates phytosanitary treatment.
- Low operating costs.
- Intensive work, day and night.
- Tractor hydraulics: 35 litres/min.
- Working speed: up to 3 km/h.
- Day or night, in all weather conditions.
- Copes with dense vegetation.
- Wide opening, it is easy to enter the row.

CLEAN CUTTING

- Does not damage posts and trellising.
- Pruning close to the cordon for a uniform result.
- Cordon tracking by vision system ensures work quality much higher than with manual operation.
- Cuts vine shoots of any diameter.
- Cordon tracking accuracy: adjustable to 5 mm.

USER-FRIENDLY

- The MULTIVITI joystick and console are intuitive and ergonomic.
- Automatic controls mean the driver can work comfortably without fatigue.
- Automatic opening around posts thanks to the mechanically opening wheels.

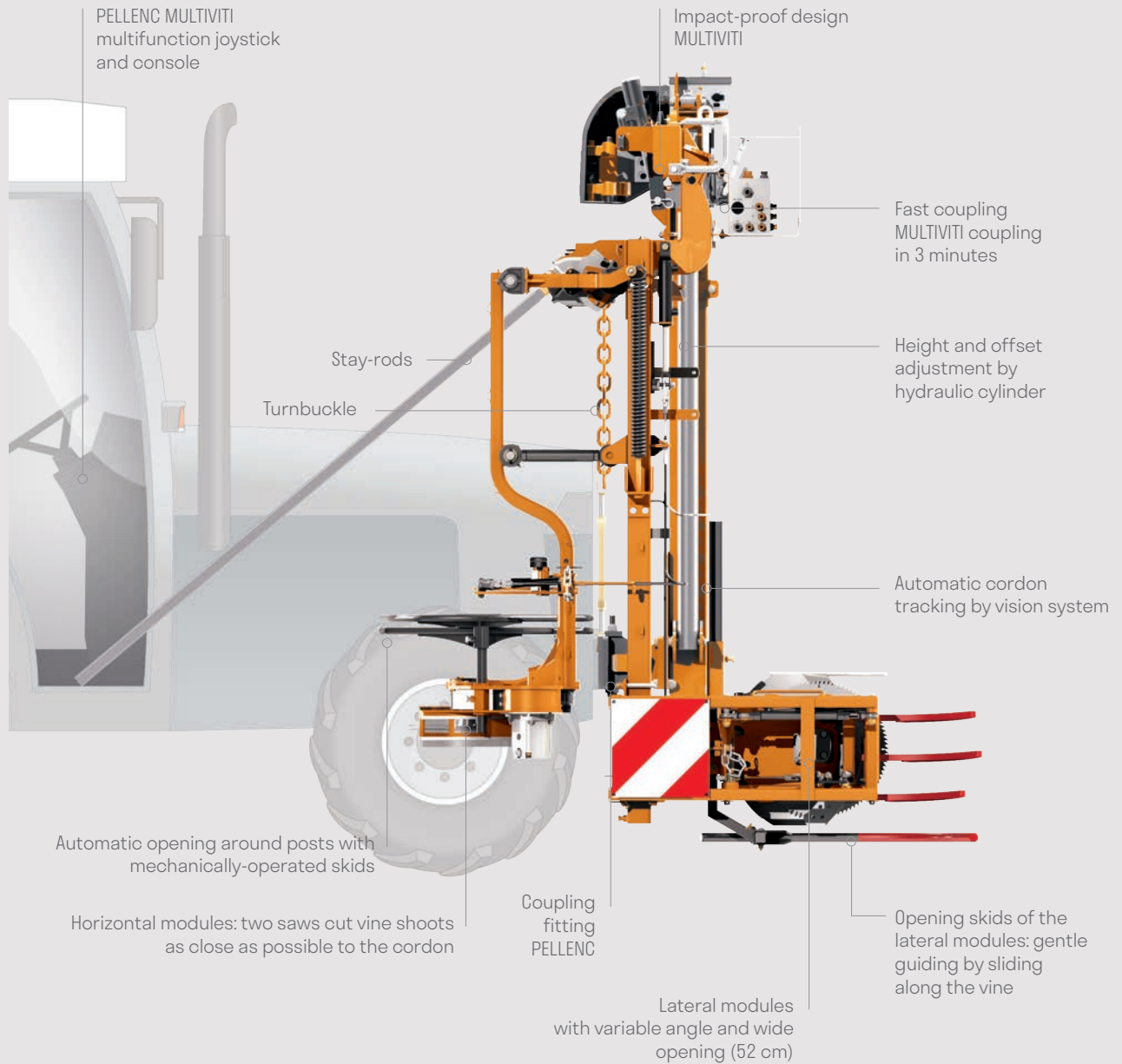
SAFE

- The operator can take over control of the machine at once if something unexpected happens.
- Impact-proof design.



Gold medal
SITEVI

PRECISION PRUNER



HYDRAULIC DRIVE

**REQUIRED HYDRAULIC FLOW RATE:
ONLY 35 LITRES/MIN**

- High-speed saws.
- Cutting quality.
- Cuts large-diameter vine shoots easily.

Marketing



video

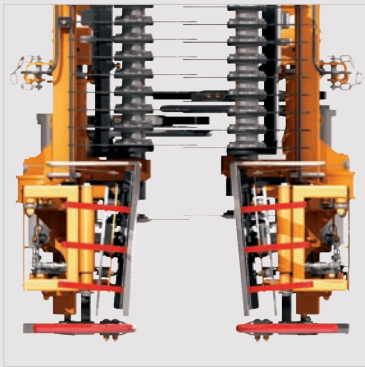


CORDON TRACKING BY VISION SYSTEM

PELLENC INNOVATION

AUTOMATIC ADJUSTMENT OF HORIZONTAL DISCS ACCORDING TO THE HEIGHT OF THE CORDON:

- Better work quality than with manual operation.
- Greater vine protection.
- Exceptional working comfort for the driver.
- The driver can adjust the cutting height.



LATERAL MODULE

WIDE OPENING AT ENTRANCE TO THE ROW (52 CM) ENABLES:

- Ease of handling at short headlands.
- Cleaning efficiency.
- Less damage to trunks using lateral deflector pins.

TECHNICAL FEATURES



	TRP MULTIVITI	TRP/P	TL - TRP VISION SYSTEM/P
Shaft head with	-	-	Long arms
Number of pairs of bevelled discs	-	-	From 10 to 17 pairs
Two lateral cutting modules (400 mm diameter)	•	•	•
Two horizontal cutting modules (350 mm diameter)	•	•	•
Coupling	MULTIVITI chassis	Multifunction arm on PELLENC carrier	Multifunction arm on PELLENC carrier
Fast coupling fitting and stay-rods	•	-	-
Disc speed adjustment	From the console	From the console	From the console
Electric control of all functions	•	•	•
Height and offset adjustment by hydraulic cylinders	MULTIVITI chassis	PELLENC multifunction arm	PELLENC multifunction arm
Pair of opening skids of the horizontal cutting modules	•	•	•
Automatic cordon tracking by vision system	•	•	•
Impact-proof cylinder	•	•	•
Delivered on a pallet stand	•	•	•
Pair of deflector pins for vertical modules	•	•	•
Hydraulic flow rate	35 litres	Carrier	Carrier

• Standard equipment - Not available



VINION

EASY-TO-HANDLE LIGHTWEIGHT PRUNING SHEARS, WITH MAXIMUM PRUNING SPEED

With the latest innovative technology, the VINION pruning shears are not only the lightest on the market, but also the least expensive in their category.

Suitable for vine growers seeking lightness, comfort, easy handling, and precision, the VINION provides breakthrough technology designed to meet every need. With two different battery systems to suit the type of work required. The VINION works fast and efficiently.

Testimonial

The VINION pruning shears have a small diameter. They are comfortable to hold and lightweight. The impressive cutting power is equivalent to that of a Lixion. It is accurate and very practical. I appreciate the lightness of the battery. You wouldn't know you're carrying it. And you have complete freedom of movement, no longer carrying the battery on the back.

Mr and Mrs Jaubert,
Vine growers - CUCURON - FRANCE

VINION BASICS



LIGHTWEIGHT



EFFICIENT



COST-SAVING



USER-FRIENDLY



ADAPTABLE



LIGHTWEIGHT

- The lightest pruning shears on the market: 680 g.
- 150 lightweight battery (845 g), carried on a belt attachment or in a pocket.

EFFICIENT

- High-performing motor: 92% efficiency.
- Full day's operation in battery life.
- The PELLENC-Pradines cutting head enables powerful penetration into wood.
- The blade can be replaced with no tools.
- Optical trigger for natural, precision control of the blade half-opening.

COST-SAVING

- Cheapest on the market in its category.
- Easy maintenance (lubrication).

USER-FRIENDLY

- Slim, comfortable, oval handle. Suitable for right- and left-handed use.
- Adapts to your pruning style thanks to its range of cutting modes.
- Compact and easy to handle right-handed or left.
- Optical trigger for instinctive and progressive control of the blade half-opening.

ADAPTABLE

- Four work modes (performance, comfort, all or nothing, progressive) to suit any cutting style and branch pruning diameter.
- Alternate between PELLENC tools using the dual connector on the 250 battery.



1st prize for agricultural mechanisation, innovation, and safety

FIERA AGROALIMENTARE MEDITERRANEA - 2017

Technological Innovation Award

ENOVITIS - 2016

Silver Medal

SITEVI - 2015

“PULLING” PRADINES CUTTING HEAD



250 BATTERY

Two output sockets for alternating between two tools



1. Integrated handle
2. Chest strap for lateral carrying of the battery
3. Air flow at the back
4. Cord loops
5. Lithium-ion battery with four mode settings
6. On-off battery display
7. Adjustable belt
8. Holster

EXTRA COMFORTABLE
“BREATHABLE” HARNESS

150 BATTERY

Unrivalled freedom of movement

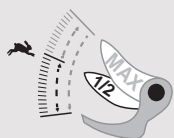


PRODUCTS SUITED TO YOUR NEEDS



*Average battery life observed

FOUR OPERATING MODES



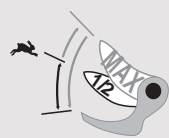
PERFORMANCE

Fast steady with blade half-opening



COMFORT

Steady with blade half-opening



ALL OR NOTHING

Fast with blade half-opening



PROGRESSIVE

Fast without half-opening

TECHNICAL FEATURES

PRUNING SHEARS	VINION
Weight - g	680
Engine speed - rpm	21,000
Length - mm	260
Oval-shaped blade dimensions (H x L) - mm	40*36
Blade opening - mm	57
Cutting diameter - mm	35
Compatible batteries	150/250
Optical trigger	•
Automatic standby mode	•
The blade can be detached with no tools	•
Motor-cooling system	•

- Standard equipment
- Not available

BATTERY	150 BATTERY	250 BATTERY
Weight - g	845	1,680
Maximum power - W	1,728	1,728
Average service life - cycles	800	1,000
Carrying	Belt	Harness
Charging time 0.4A	9 hrs	Not compatible
Charging time 1A	4.5 hrs	7 hrs.
Charging time 1.2A	Not compatible	6 hrs.
Average battery life VINION	9 hrs*	15 hrs*
Average battery life VINION + SELION M12 chainsaw	-	12 hrs*
Multi-tools mode	-	•

*Depending on storage/charging/usage conditions



FIXION 2

ATTACHED TO YOUR FREEDOM

—

Drawing on 20 years of experience in the manufacture of electronic tying machines, our teams have been busy developing a tool designed with the user in mind. With its built-in battery, comfortable handle, and a comprehensive range of PELLENC ties, the Fixion 2 gives you unrivalled freedom of movement, efficiency, and work speed.

Light and easy to handle, it provides extreme time savings of up to 4 times faster than manual tying. With more than a full day's work on a single charge, your productivity gets a boost. Adaptable, the ties can be stored on the embedded tie band or the tie band on a belt. We offer a wide range of ties to suit your needs: Standard, Stainless steel, Organic, and Paper.

Testimonial

The FIXION 2 tying machine is light and easy to handle. Using the embedded tie band makes tying easier. No more ties attached to the belt. That gives you freedom of movement, so you can spend a whole day tying efficiently.

Sébastien & Philippe Barneoud
VINE GROWERS - PERTUIS

FIXION 2 BASICS



BUILT-IN BATTERY



UNRIVALLED EFFICIENCY



NEW DESIGN



ADAPTABLE



Working with 'pergola' vines becomes easier



More than 1,500 ties per tie band

BUILT-IN BATTERY

- Freedom of movement.
- Fast working.
- Lightweight: tool + built-in battery = 800 g.

UNRIVALLED EFFICIENCY

- Reduces working time by up to 50%.
- Battery life: up to 15,000 ties per charging cycle.

NEW DESIGN

- User-friendly handle.
- Changing the tie band is quick and easy.

ADAPTABLE

- Embedded tied band or tie band on belt.
- Twist selector: four levels.



ONE TOOL, TWO USES



200m tie band on belt

up to 1,500 ties per tie band



Small embedded tie band

up to 450 ties per tie band

TIE BAND FEATURES	Tie band on belt	Embedded tie band
Maximum binding diameter - (mm)	25	25
Tie band length - (m)	200	60
Ties per tie band - (approximate)	1,500	450
Battery life: Ties per charging cycle	Up to 15,000	Up to 15,000






TIME-SAVINGS OF UP TO 50%

The efficiency of the FIXION 2 significantly reduces labour costs, making it a very cost-effective product.

	MANUAL	MECHANICAL (twisting clamp)	MECHANICAL (staple clips)	FIXION	FIXION 2
Time / ha - hr	14	10	8	5.1	4.9
Labour cost / ha - €	182	130	104	66.3	66.3
Number of ties	5,000	5,000	5,000	5,000	5,000
Cost of ties - €	0.12	0.21	0.50	0.20	0.2
Cost / ha - €	6	10.50	25	10	10
Total / ha - €	188	140.50	129	76.30	76.3

A MADE-TO-MEASURE RANGE OF TIES

Each type of tie is adapted to the environmental conditions of the vine, the weight of the plant being tied, and the durability required.

					
	Standard tie	Bio tie	Paper tie (0.44)	Paper tie (0.36)	Stainless-steel tie (0.44)
Breakdown	10 to 12 months* <i>* Depending on weather conditions, load, and quality of trellising wire</i>	After 8 to 10 months* <i>* Photodegradable additive of the casing, which promotes breakdown of the tie.</i>	After 6 to 9 months* <i>* The paper retains moisture, which is conducive to breakdown of the tie and helps with wood removal.</i>		Low* <i>* For cordon system vines and the installation of irrigation pipes.</i>
Durability energy	14 kg	14 kg	14 kg	9 kg	14 kg
Steel wire	0.44 mm	0.44 mm	0.44 mm	0.36 mm	0.44 mm
200 m tie band	Ref. 30 57047	Ref. 30 57048	Ref. 30 57049	Ref. 30 57052	Ref. 30 57053
Embedded tie band	Ref. 30 57230	Ref. 30 57205	Ref. 30 57204	Not available	Not available



EOLE 2000 / 3000

ACCURATE, EFFORTLESS SPRAYING

Adaptable to the needs of each vine grower, EOLE incorporates the latest PELLENC innovations in terms of ease of use, protecting the environment, and operator safety.



EFFICIENCY

- Tanks with a nominal capacity of 2,000 and 3,000 litres.
- 350 litres of on-board water for rinsing.
- Variable flow pump (10 to 260 litres per minute) suitable for filling the tanks and for all types of spraying.



EASE OF HANDLING

- Automatic width adjustment.
- Automated system for folding in the ramp at the headland, which the operator can control from the EASY DRIVE joystick.
- The downpipes are located as close as possible to the carrier to facilitate manoeuvring.
- Raising of the entire ramp to pass over the vines.
- The operator can cut-off sections row by row from the joystick control.
- Tilt correction up to 30%.
- Safety mechanism on the downpipes in the event of snagging.



PRECISION SPRAYING

- Surface-by-surface spraying for greater accuracy in the row.
- The fans are located as close as possible to the downpipes to ensure a more regular air flow rate.
- Ultrasound ground tracking: The product is always sprayed in just the right place.
- Integrated DPAE system (electronically controlled flow rate proportional to forward speed): The spraying rate is maintained over a wide range of ground speeds.
- Mixing independent of the working pressure.
- Approved sprayer for reducing unsprayed buffer zones with all types of anti-drift nozzles.



ERGONOMIC DESIGN

- Intuitive sprayer-specific interface on the EASY TOUCH console.
- The operator can see the active sections, ground tracking, and tank levels on the screen.
- Integrated spray-liquid mixer.
- Simplified operating position.





100% INTEGRATED INTERFACE

EASY TOUCH TOUCHSCREEN CONSOLE

- A specific control interface is automatically displayed when the sprayer is coupled.
- Intuitive menus and pictograms make EOLE settings easy to configure.

MONITORING THE WORK

- Instant display of active sections, ground tracking, and tank levels on the EASY TOUCH console.

EASY DRIVE JOYSTICK

- Automatic button assignment.
- Control of ramp movements and active sections.

SECTION CUT-OFF

- The operator can control the tips directly from the joystick by managing the number of active sections, without interrupting the work in progress.
- When the right or left spraying boom is fully deactivated, the ramp automatically folds up.



Managing the tips



EASY TOUCH touchscreen console

MANAGING HEADLANDS

RAMP FOLDING IN HEADLAND TURN

- When exiting a row, 1 click on the joystick cuts off the spraying, stops the ground tracking, and starts the ramp folding sequence.
- When entering a new row, a second click re-extends the ramp and restarts the spraying.

PASSING OVER THE VINES

- Depending on how much room there is at the headland, the whole ramp can be raised to pass over the vines.



Managing headlands

CENTRALISED OPERATION

OPERATING POSITION

- Control and check the EOLE set-up entirely from the ground.
- This panel groups together valves and switches for all sprayer functions.
- An intuitive operation guide helps the operator easily position the valves to the desired position.

SPRAY-LIQUID MIXER

- Enables the operator to prepare the spray mixture safely from the ground.
- The mixing can be done while filling the tank.
- Large volume and graduated tank (40 litres).
- Built-in rinse tank.



Centralised operation

LIMITED DRIFT

OPTIMAL SPRAYING DISTANCE

- The distance between the diffusers and the canopy can be adjusted to maintain optimal spray quality however thick the foliage.
- The pendulum-mounted downpipes keep that distance the same regardless of the tilt.

ADAPTED TO THE HEIGHT OF THE PLANT GROWTH

- The number of active diffusers can be adjusted according to the height of the plant growth.
- The diffusers can be adjusted to ensure that the spray goes exactly where it should.

GROUND TRACKING

- The EOLE spraying ramp is equipped with ultrasound sensors that allow it to precisely monitor variations in height and tilt: The downpipes remain facing the vines.
- Tilt correction up to 30%.
- Linked to the suspended ramp and downpipes, the ground tracking keeps working smoothly as you progress.
- The working height can be memorised with one click on the EASY TOUCH console.



ANTI-DRIFT NOZZLES

- Each type of anti-drift nozzle has been approved for reducing unsprayed buffer zones.

THREE FANS LOCATED AS CLOSE AS POSSIBLE TO THE DOWNPIPES

- Minimises pressure losses.
- Improves the air flow consistency and thereby the spray quality.



SPRAYING MANAGEMENT

DPAE SYSTEM (ELECTRONICALLY CONTROLLED FLOW RATE PROPORTIONAL TO FORWARD SPEED)

- Regulates the flow rate based on the ground speed to maintain a constant spraying rate.
- Intuitive interface fully integrated on the EASY TOUCH console.
- With automatic one-click calibration, this system is one of the easiest to use on the market.

GPS TRACKING OF THE SPRAYED ROWS*

- Makes life easier for the operator, as there is no need to count the rows.
- Easier to operate: Avoids spraying the same rows twice or forgetting any of them.
- A file summarising the work done (customer name, date, surface sprayed, etc.) can be retrieved on a USB flash drive.





MODULAR ACCORDING TO YOUR NEEDS

EASIER TO USE

- Automatic hydraulic width adjustment, easily configured and operated on the EASY TOUCH console.
- Adjustable working width and headland stops.

AVAILABLE RAMP CONFIGURATIONS

- 3 rows of wide vines.
- 4 rows of wide vines.
- 4 rows of narrow vines.

TANK CAPACITY

- 2,000 litres on the OPTIMUM M.
- 2,000 or 3,000 litres on the OPTIMUM L and XL.

SAFE TO USE

PRESSURISED AND FILTERED CAB

- The cab pressurisation is synchronised with the start-up of the sprayer fans: No risk of forgetting.
- An alarm is triggered if any problem is detected (e.g. a door not properly closed).
- Hour counter for the active carbon filter on the EASY TOUCH console, with a “time to replace” alert.

EMERGENCY STOP

- 1 emergency stop accessible from the ground, on the control console.

VARIABLE FLOW PUMP FOR THE PRODUCT TO BE SPRAYED

EFFICIENCY

- Spraying, mixing the liquid to be sprayed, filling the tanks from below, and rinsing are all carried out efficiently by the same pump.
- Maximum flow rate of 260 litres per minute!
- Filling the tank and mixing the spray products at the same time is fast and practical.

VARIABLE RUNNING SPEED

- The rotational speed of the pump is always adapted to the job at hand: Fuel savings.
- Suitable for spraying from 50 to more than 1,000 litres per hectare!

EFFECTIVE MIXING OF THE SPRAY LIQUID

IN ALL CONDITIONS

- The mixing of the spray liquid in the tanks is independent of the spraying. Effective mixing regardless of the selected spray pressure.
- The spray mixture remains consistent throughout the spraying process.

AUTOMATIC STOP

- The mixing is automatically stopped at the end of the tank to limit the possible appearance of foam.

EFFECTIVE WASHING

MULTIPLE FILTRATION LEVELS

- Filtration at intake, discharge, and at each downpipe.
- Reduced risk of clogging.
- Quick maintenance: All the filters are accessible and located at a level that is easy to reach.

CUSTOMISED RINSING

- Across the range, 350 litres of on-board water for more efficient rinsing.
- The operator can quickly and easily select the rinsing mode from the operating station: tanks, ramp, or mixer independently.
- If the spraying work has to be interrupted, rinsing the ramp without flushing to the tank prevents the risk of clogging when restarting.



Variable flow pump, up to 260 litres/min.



Easy disassembly of filters












TECHNICAL FEATURES

	EOLE 2000			EOLE 3000		
	4	3	4	4	3	4
Number of rows sprayed per run	4	3	4	4	3	4
Tank capacity (litres)	2 x 1,000	2 x 1,000	2 x 1,000	2 x 1,500	2 x 1,500	2 x 1,500
Rinsing tank capacity (litres)	350	350	350	350	350	350
Plantation width (metres)	1.3 to 2	1.75 to 3 2.35 to 3.6*	1.75 to 2.6 2.15 to 3*	1.3 to 2	1.75 to 3 2.15 to 3*	1.75 to 2.6 2.15 to 3*
The operator can cut off sections row by row from the joystick.	●	●	●	●	●	●
Automated folding system	●	●	●	●	●	●
Automatic ground tracking	●	●	●	●	●	●
Tank levels on the EASY TOUCH console	●	●	●	●	●	●
DPAE system (electronically controlled flow rate proportional to forward speed)	●	●	●	●	●	●
Spray-liquid mixer	●	●	●	●	●	●
Operating console	●	●	●	●	●	●
Tank washing with rotating nozzles	●	●	●	●	●	●
3 blue LED lights + 3 cameras mounted on magnetic stands	○	○	○	○	○	○

- Standard equipment
- Optional

SELECTION GUIDE

Plantation width	Number of rows sprayed	Model	Coverage height			
			1.6 m	1.9 m	2.1 m	Gobelet-trained vines
1.3 to 2 m	4 RE	EOLE 2000/3000	2 x 4 diffusers Pneumatic 	2 x 5 diffusers Airblast 		2 arrays x 3 diffusers Pneumatic 
1.75 to 2.6 m or 2.15 to 3 m	4 RL	EOLE 2000/3000	2 x 4 diffusers Pneumatic 	2 x 5 diffusers Airblast 		2 arrays x 4 diffusers Pneumatic 
1.75 to 3 m or 2.35 to 3.6 m	3 RL	EOLE 2000/3000		2 x 5 diffusers Pneumatic or airblast 	2 x 6 diffusers Pneumatic or airblast 	2 arrays x 4 diffusers Pneumatic 



TRELLISING MACHINE

LIFT, ATTACH AND TRIM TRELLIS WIRES IN ONE GO

Perform three operations in one run, with a single tool — this is made possible by the PELLENC trellising machine! Your vines have a uniform canopy, so grape clusters are better exposed to spray treatments. Lifting the leaves improves photosynthesis, ensuring optimal maturity of the berries.

Testimonial

We are currently using our third PELLENC wire lifter. After two tractor-mounted models, we chose to mount the third one on our 8490 carrier, which we use for pre-pruning, lifting, soil cultivation, and harvesting. This arrangement allows us to work faster and optimise the amortisation of the wire lifter and the carrier. This is a practical detail that we appreciate is the two upper trimming discs that make it possible to cut the top and lift the wire in a single run, without affecting the ground speed!

Jean-François Roubaud
Château Nestuby
Provence region - COTIGNAC - FRANCE

TRELLISING MACHINE BASICS



MULTIFUNCTION



EFFICIENT



USER-FRIENDLY



ECO-FRIENDLY



Wide range of clips available



Formation of a uniform plant canopy

MULTIFUNCTION

- Three operations at once: wire lifting, trimming, and trellising.

EFFICIENT

- The operator controls the positioning of the clips.
- Formation of a uniform, wind-resistant canopy.
- Working speed: 4 to 5 km/h, even in dense plant growth, i.e. 1 hr/ha (in 2.5 m).

USER-FRIENDLY

- Very quiet tool.
Low hydraulic requirement: 25 litres/min.
- Excellent ease of handling—installed on the trellis with a single click (automatically picks up the pair of lifting wires at the beginning of the row).
- Use at different stages of growth.
- Several types of lifting wires can be used: steel and nylon.

ECO-FRIENDLY

- PELLENC clips are made from photodegradable and food-grade material.
- Carry out three operations all at once: limits CO₂ emissions and preserves the root system.



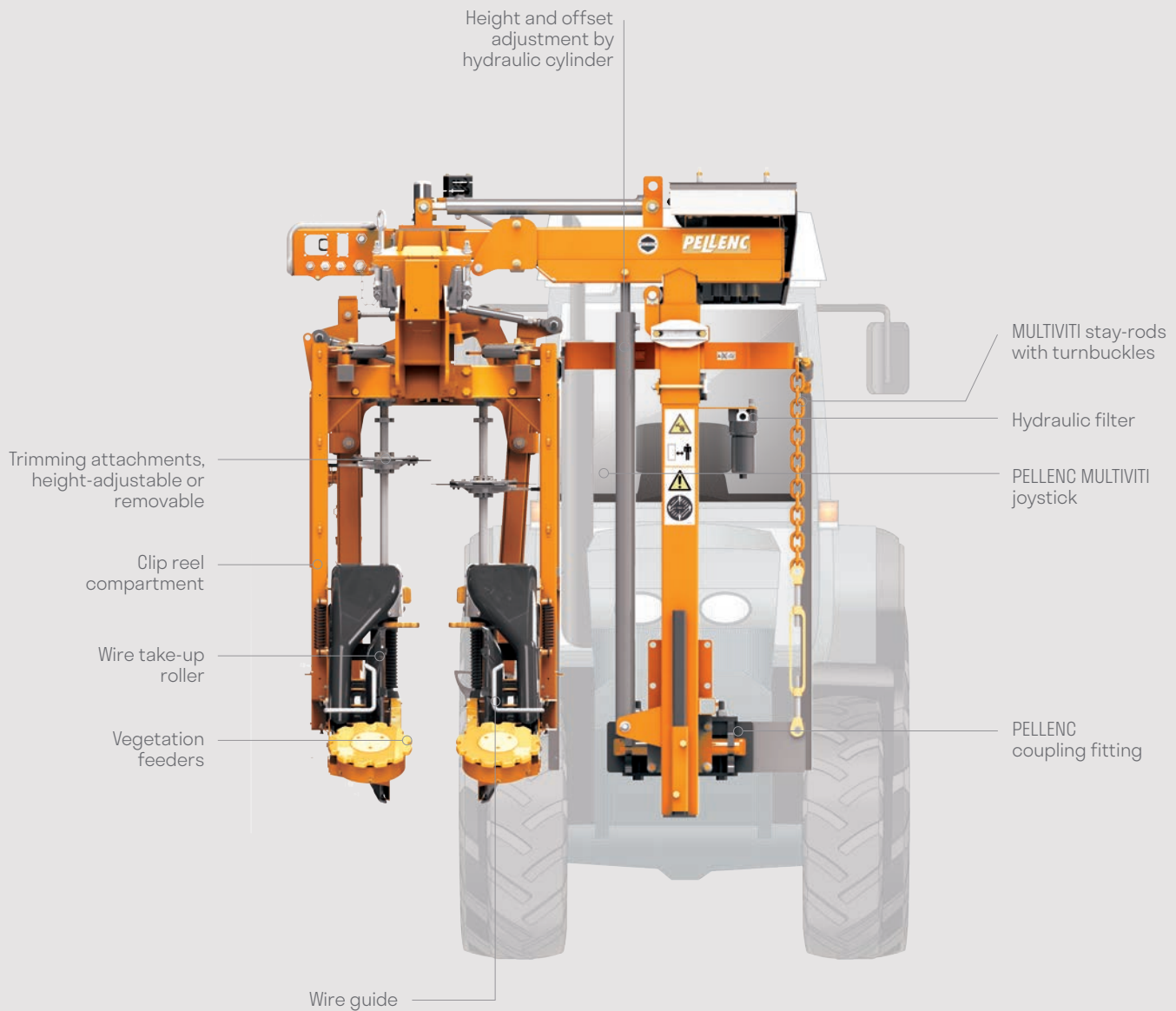
Gold medal
SITEVI

TRELLISING MACHINE

Marketing



video



THE TRELLISING MACHINE OPERATES ON THREE PRINCIPLES:

- **Simplicity:** it uses the pair of lifting wires permanently installed on the trellising from one end of the row to the other.
- **Cost saving:** the system can be reused each year.
- **Safe:** by lifting two wires, the trellising machine carries the vegetation in an upward motion to form a plant canopy that is uniform and wind resistant.



PELENC range of clips

PELENC-manufactured clips ensure the proper functioning of the PELENC trellising machine. Designed for use with our trellising machine with widths adapted to different types of vines. Each model has different tensile strengths based on the thickness of the canopy or its use (first lifting). The clips are made from photodegradable and food-grade material.



PELENC TIPS

Trellising recommendations

The trellising machine works with all types of posts except those equipped with a T bar larger than 15 cm. Quality of posts, installation, and tension of lifting wires are essential factors for the proper mechanisation of vine lifting and attaching trellis wires.

Choice of lifting wires

Three types of wire are possible: galvanised non-steel, galvanised steel, and nylon. The galvanised steel wires No. 13 and No. 16 (2 mm to 2.7 mm depending on plant growth) produce the best results. Using suitable lifting wires is a requirement for proper mechanised lifting and trellising of the vine.

Preparation for “entry into the rows”

By manually engaging the vegetation between the wires for the first three or four metres of the row, it is easier for the wire lifter to enter into the rows and for the wires to be caught automatically (mainly for vineyards with dense vegetation).

Lifting wire tension

Several parameters: length of rows, vigour and density of plant growth, type of wire.

Optimal set-up: the lifting wires touch the ground around 10 or 15 m from the head post.

In other cases, we recommend you install fastening stirrups and tension chains on the anchoring posts in order to determine in use, the best thread tension, placing the lifting wire tensioners at the end of the rows.

Importance of cultivation techniques

The ease and quality of lifting depends on the grape variety (naturally upright or falling) and the cultivation techniques of the vineyard. We recommend “cordon” or “flat tying” for best results.

TECHNICAL FEATURES



	MULTIVITI Wire Lifter / Trellising Machine	Wire Lifter / Trellising Machine on PELENC carrier
Trimming attachment	•	•
Coupling	In-the-row tractor	Multifunction arm on PELENC carrier
Fast coupling fitting and stay-rods	•	-
Stapling mechanism	•	•
Electric control of all functions	•	•
Height and offset adjustment by hydraulic cylinders	•	PELENC multifunction arm
Two upper and lower vegetation feeders	•	•
Delivered on a pallet stand	•	•
Hydraulic flow rate (l/min)	25 l/min at 180 bars	Carrier
Wire holding kit	◦	◦

• Standard equipment

◦ Optional



LEAF REMOVER SOFT TOUCH 2

QUICK AND EASY TO GET USED TO, CAREFUL WORK, AS IF BY HAND

—

The new leaf remover suits all vineyards, the work is done properly and uniformly, as if by hand. The simple design ensures quick and easy handling in addition to requiring little maintenance. The canopy is tracked by a sensor, which automatically manages the tool pressure on the trellising in real time—with no damage to the berries!

Testimonial

The PELLENC leaf remover is very simple to set up and operate, and it took no time to learn how to use it. Automatic tracking of the plant canopy increases the quality of leaf removal without the risk of damaging the berries. The swivel head ensures rapid passage in the headlands and also allows me to adjust the working height to each of my vineyard plots. Folding for transport position is very clever, and visibility and comfort are all there! Even better, maintenance is greatly reduced thanks to its simple design.

ETA PASCAL ROMAIN

Bordeaux Region - Saint-Émilion - FRANCE

LEAF REMOVER BASICS



COST-SAVING



EFFICIENT



USER-FRIENDLY



Full row leaf remover on the OPTIMUM carrier



Easy and comfortable transportation



2 x 1/2 row

COST-SAVING

- High ground speed of up to 4 km/h.
- Available in a 1/2 row, 1 row, or 2x1/2 row version.
- Suits all vineyards.
- Reduced maintenance cost.
- Low fuel consumption, with reduced power requirements.

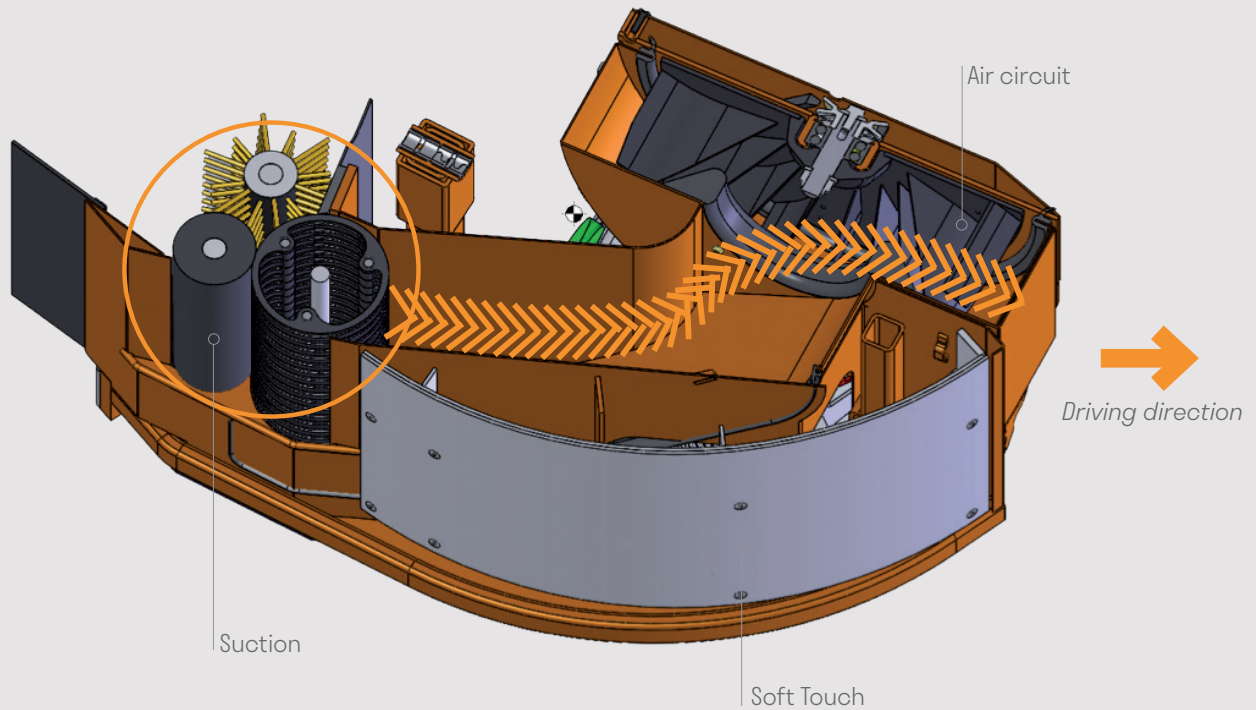
EFFICIENT

- Row tracking makes it possible to work in all types of vineyards with the same leaf removal rate, without damaging the fruiting zone, regardless of the stage of vegetation.
- Automatic safety swing-back mechanism in case of frontal impact.
- Automatic tracking of the plant canopy.
- The rollers catch the leaves without damaging the berries.

USER-FRIENDLY

- Intuitive controls.
- Simple coupling, hydraulic and electrical connections at an accessible height.
- Very good visibility of the row.
- Quiet machine.
- Compact, easy to handle at headlands.
- Reduced overhang and weight.
- Easy to use.

OPERATION OF LEAF REMOVING MODULE



SUCTION

Leaves are sucked through the striations of the suction roller:

- **The leaves stick to the roller.**

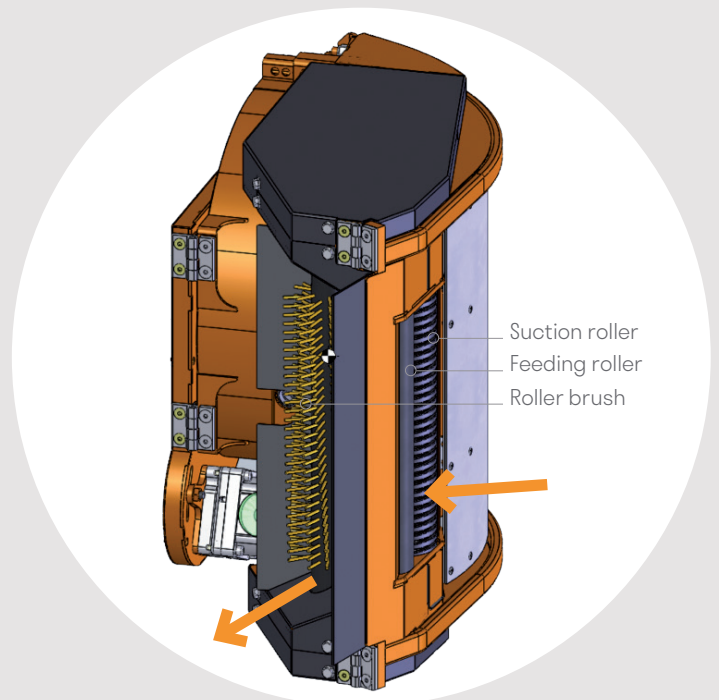
The suction roller is placed next to a feeding roller. Turning in opposite directions:

- **they catch the leaves.**

At the rear, a roller brush:

- **cleans the two rollers to reduce plant debris deposits.**
- **ejects whole leaves with no scattering of debris (fall by gravity).**

This system **limits the fouling of the fan**, since the leaves do not pass through it.



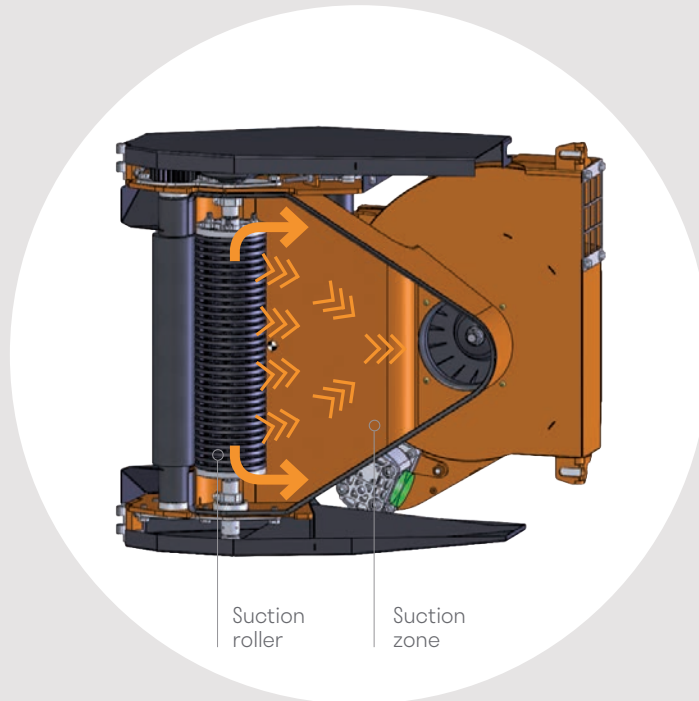
AIR CIRCUIT

The fan draws through the upper and lower part of the suction roller, as well as through all the striations:

- Sticking the leaves more effectively to the roller.
- Limiting clogging of the roller.

This wide suction zone ensures:

- a uniform leaf-removal rate along the whole height of the roller, without loss of working height.



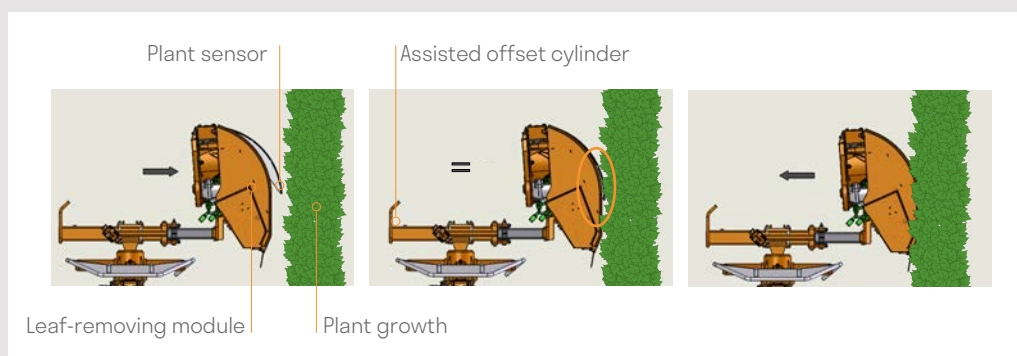
SOFT TOUCH

The “Soft Touch” automatic row-tracking system

The suction module is automatically aligned to the plant canopy surface: it moves towards and away according to the pressure applied to the sensor.

The Soft Touch system ensures:

- A constant leaf-removal rate (an unbroken swath of leaves on the ground);
- Full protection of the grape thanks to the responsiveness of the system;
- Unparalleled driving comfort, with jolting eliminated without affecting the leaf-removal rate;
- Override on joystick so the operator can take over when there is no vegetation.



SOFT TOUCH 2

RESULT

Leaf-removing quality as if done by hand

The row-tracking probe of the SOFT TOUCH leaf remover guarantees total protection of the grape with its wide surface area, and a constant leaf-removal rate with its high responsiveness.

The driver can just focus on driving, Soft Touch does the rest!



MAINTENANCE

Easy cleaning

Washing the module is very easy, with the 2 opening flaps which give direct access to the fan (very little clogging because the leaves do not pass through it) or to the suction zone.



TECHNICAL FEATURES



	Reversible half-row	1 row on multifunction carrier or MULTIVITI chassis	2 x 1/2 row
Minimum row width - m	1.50	1.30 m on multifunction carrier 2 m on MULTIVITI chassis	1.50 m
Number of rows	1/2	1	2 half-rows
Hydraulic flow rate (l/min)	35 litres	Carrier	2 sources: 55 litres fans 20 litres movements
Fast coupling fitting and stay-rods	•	Multifunction arm on PELLENC carrier	•
Offset adjustments	•	•	•
Leaf removing height - mm	380 or 480	380 or 480	380 or 480
Electric control on all functions	•	•	•
Row tracking by sensor	•	•	•
Delivered on a pallet stand	•	•	•

- Standard equipment
- Optional





TWIN BOX

TWO-ROW SPREADING: SIMPLE, VERSATILE AND ADAPTABLE

—

The Twin Box 2-row spreader is multifunction and multi-purpose. With its high on-board capacity, you can change and adapt the type of spreading quickly and easily (soil, manure, fertiliser, powders, bark, soil improvers, etc.).

Testimonial

The TWIN BOX spreader is just like the PELLENC multifunction carrier—versatile! I have been using it for 10 years now to carry soil and spread manure or fertiliser in my vineyard. The work rate is perfect for me. I work at 8 km/h covering 7 rows with fertiliser or 2 rows with manure. Mounting on the carrier allows increased loading capacity compared to towed models, so I spend less time on the road and more in the field. The simple design of the TWIN BOX spreader has two advantages in the field: maintenance costs have been virtually nil for the past ten years, and the transition from one job to another is done very quickly and without complex mechanics.*

Jean Marc Rieusset
Gaec de Serzat

Côtes-du-Rhône - VALVIGNERES - FRANCE

*Row spacing

TWIN BOX BASICS



COST-SAVING



MULTIFUNCTION



USER-FRIENDLY



ECO-FRIENDLY



Spreading done at the base of the row



Excellent ease of handling in the vineyard

COST-SAVING

- 2 rows spread in a single run and more with the extra wide option.
- Carry up to 2,6 m³ of products.
- Working speed according to hectare flow rate.

MULTIFUNCTION

- Precision work.
- Spreading is done by chain and bar conveyor, or rubber or rotor conveyor.
- Multipurpose: manure, compost, fertiliser, soil, and powders.

USER-FRIENDLY

- Ergonomic control of the PELLENC carrier.

ECO-FRIENDLY

- The wheel is centred in the row, thus limiting pressure on the root system.

TWIN BOX



TWIN BOX SPREADER

Consisting of double bins

2 variable speed chain and bar conveyors with hydraulic gearing

2 hydraulic hatches with mechanical memory

Separate control for each conveyor

Stands - Ladder

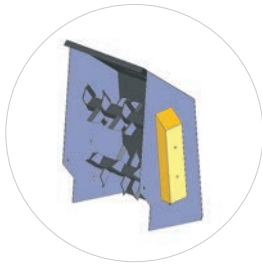
TWIN BOX SPREADER

Compost/manure kit

Extra-wide spreader kit

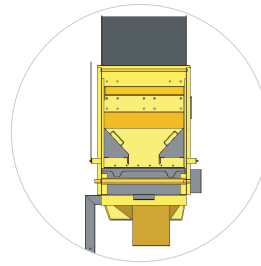
Rubber belt conveyor kit

Quick coupler kit



Compost/manure spreader kit

Double streamlined rotor for spraying in the centre of the row.



Rubber belt conveyor spreader kit

The rubber belt is used to spread at a low rate.



Extra-wide spreader kit

A single run covers more than two rows thanks to its spreading discs.

TECHNICAL FEATURES



TWIN BOX

Chassis	Double bins
Bin volume - m ³	2 x 1.3
Number of rows worked	Two (or more with the extra-wide spreading option)
Product transportation	Chain and bar conveyor
Hectare flow-rate control	Conveyor variable speed controller by hydraulic reducer
Rear flaps opening	Hydraulics with mechanical memory
Conveyor speed control	LH/RH independent
Feed box loading protection	•
Ladder	•
Stands	•
Optional compost/manure kit (horizontal rotors)	○
Rubber belt conveyor kit + reducer (low dose per hectare)	○
Extra-wide spreader kit	○
Feed box reducer kit and flaps	○

- Standard equipment
- Optional



CULTIVION

A SOIL CULTIVATOR AS AN ALTERNATIVE TO CHEMICAL WEEDING

Save time and increase efficiency with **CULTIVION**, a powerful soil cultivator, allowing you to be fast and accurate in your work, while avoiding the use of weedkillers.

Lightweight and multifunctional, the **CULTIVION** soil cultivator is suitable for all soils, whether working deep or at the surface. Easy to handle and versatile, it can be used for cultivation, soil aeration, or weeding.

Testimonial

*Our company grows leaf vegetables on 100 hectares of land. We use the **CULTIVION** every day in the fields and in the greenhouse for weeding. This tedious work used to be done by hand. With the **CULTIVION** soil cultivator we complete the work of six people in just eight hours. This tool has allowed our company to make substantial cost savings.*

Raffaele Maddalo
PONTECAGNANO - ITALY

CULTIVION BASICS



EFFICIENT



ADAPTABLE



USER-FRIENDLY



DURABLE



Four-speed selector switch



Precision work between the vine stocks

EFFICIENT

- Outstanding work speed and quality.
- A powerful tool that can work the soil at the end of winter.
- Using the cultivator once is the equivalent of watering twice.
- A full day's work on a single charge.
- Low maintenance.
- Up to 885 strokes/minute.

ADAPTABLE

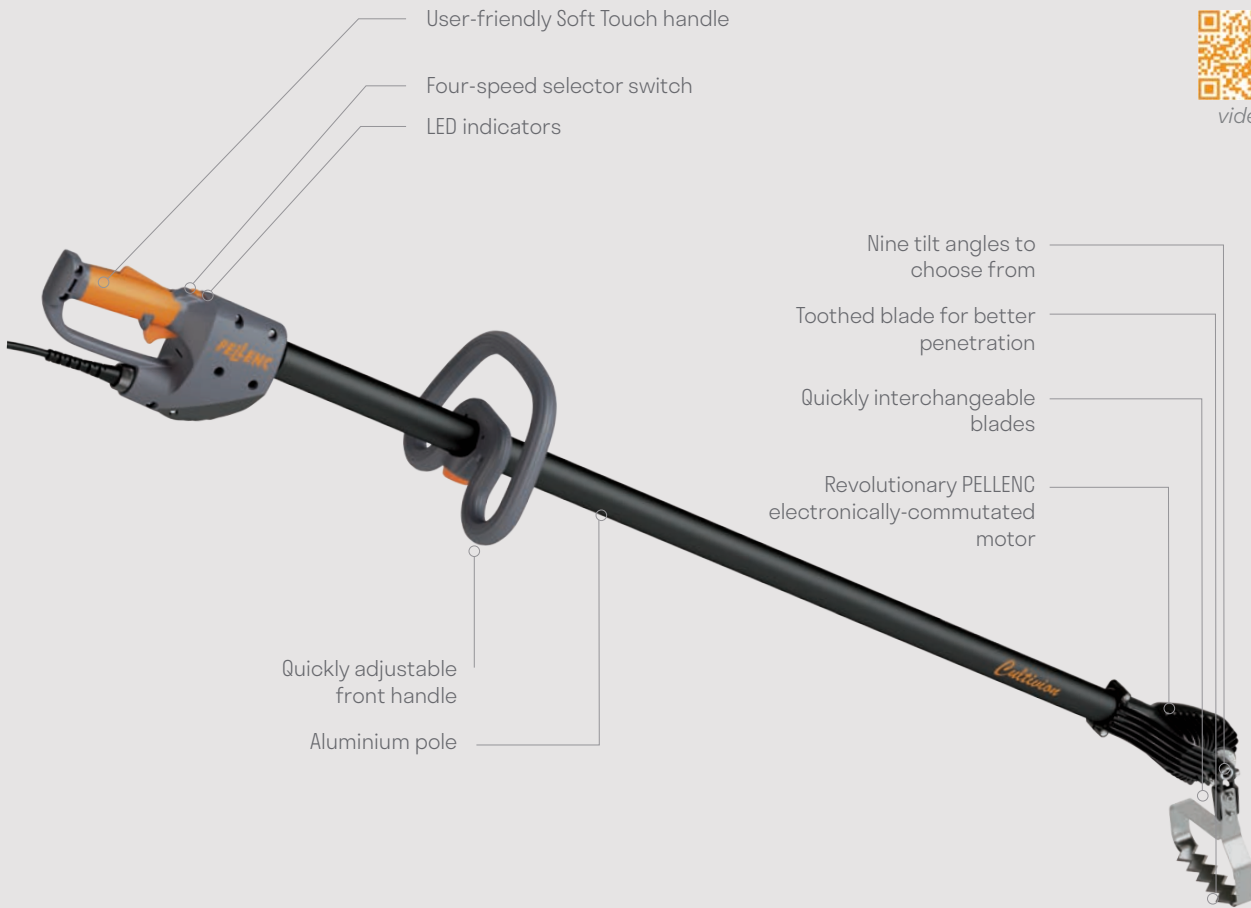
- Effective for cultivation, weeding, or soil aeration.
- Designed for agriculture, vegetable growing, and green spaces.
- Five toothed blade forms to adapt to all types of soil.
- Blades can be changed quickly to switch from one use to another.
- Nine angle settings to choose from for flat surface, incline or deeper work.

USER-FRIENDLY

- Adjustable: the tool can be adapted to the user's height.
- Very easy to handle.
- Compact.
- Stable while working, avoiding strain on the user.

DURABLE

- A reliable and safe tool built to last.
- An alternative to chemical weed killers.
- Low maintenance.



User-friendly Soft Touch handle

Four-speed selector switch

LED indicators

Nine tilt angles to choose from

Toothed blade for better penetration

Quickly interchangeable blades

Revolutionary PELLEN electronic-ly-commutated motor

Quickly adjustable front handle

Aluminium pole

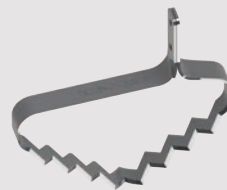
8 CM BLADE



For finishing work, with reduced vibration.

Ref.: 100422

16 CM V-SHAPED BLADE



For working hard soils. For furrows.

Ref.: 83849

16 CM BLADE



For medium and deep work.

Ref.: 81251

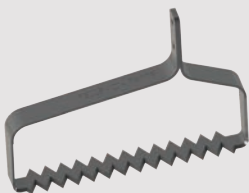
22 CM BLADE - WEEDING



For surface work. For weeding.

Ref.: 84125

22 CM BLADE



For wide and deep work.

Ref.: 79779

BLADE-MOUNTING KIT



To make changing blades easier.

Ref.: 101003



Efficient

The CULTIVION blades work with an oscillating motion. This extremely rapid movement (up to 885 strokes/minute) gives the tool the power and performance required to penetrate the soil.

PELLENC patent



Versatile

With the different blades, you can easily adapt to all working environments. The quick-change blades make it easy to switch from one use to another.

PELLENC patent



Stable

Unlike motor hoes, the CULTIVION is stable when working and avoids putting strain on the user. The CULTIVION can work in reverse, so the user does not need to walk over areas that have already been worked.

TECHNICAL FEATURES

	CULTIVION
Max. power - W	380
Combustion engine equivalence - cc	10
Weight - kg	3.1
Oscillating speed - HZ	13 to 15
Tool rate - strokes/min.	800 to 885
Number of blades	5
Blade pivot positions	9
Sound pressure level (L_{pA}) - dB(A)	74
Guaranteed sound power level (L_{WA}) - dB(A)	91
Front handle vibration level (a_{hv}) - m/s ²	14.4
Rear handle vibration level (a_{rv}) - m/s ²	10.2
Battery life with ULiB 1200	Up to 2.5 days
Battery life with 250 battery	Up to 2.5 hrs
Four-speed selector switch	•
Adjustable handle	•
Interchangeable blades	•

- Standard equipment

HOW TO CHOOSE YOUR CUTTING SYSTEM ON PANORAMA AND MULTIVITI

RECIPROCATING CUTTER BAR SOLUTION



The PELLENC trimmer with reciprocating cutter bars makes clean cuts just like pruning shears.

No scattering of debris thanks to the reciprocating blade movement, making it possible to work safely without clogging the tractor radiator.

CLEAN CUTTING

- Clean cutting just like with pruning shears.
- Reciprocating movement of the self-cleaning blades.
- Cuts vine shoots of any diameter.
- Optional vegetation lifter: work all the way to the ground.

SAFETY

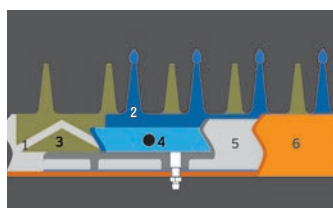
- Retractable elements: impact proofing, automatic re-setting of working position.
- No risk of injury due to the absence of scattered debris.

USER-FRIENDLY

- Quiet.
- Easy to use.
- No daily maintenance.

SPEED

- High working speed: up to 8 km/h.



- 1 - Greasing channel.
- 2 - Cutting blades with nib for holding plant growth
- 3 - Counter-blades

MANUFACTURING QUALITY

PELLENC reciprocating cutter bars are reliable and require no daily maintenance:

- 4 - Blade support and fork attachment rivet.
- 5 - Blade support guides
- 6 - Sleeve



IMPACT-PROOF DESIGN

In the event of an impact, the tool safety is ensured by a system of retractable parts with automatic resetting.



SAFE AND RAPID TRANSPORT

The horizontal cutter bars fold away without tools, small footprint on roads and paths.

BLADE SOLUTION



The PELLENC trimmer with blades offers performance with reduced maintenance: trim up to 10 km/h with no fouling!

As these cutter bars are modular, they adapt to suit the requirements of all vine growers and vineyard configurations.

CLEAN CUTTING

- High rotational speed of the blades: clean cutting at all plant growth stages.
- Work without fouling.
- Adjustable pivot, lower cutting module (optional).
- Pivoting vegetation lifter available as an option.
- Sylvose cutting module available as an option.



PELLENC BLADES

PELLENC INNOVATION

Change blades in one minute.

Very little fouling.

High rotational speed for clean cutting.

SAFETY

- Impact-proof design.



IMPACT-PROOF DESIGN

Tension spring safety devices ensure retraction of the cutting elements.

USER-FRIENDLY

- Quiet.
- Easy to use.
- No daily maintenance.
- Horizontal folding of modules without tools for road transport (Panorama).



TILTING LOWER CUTTING MODULE (OPTIONAL)

SPEED

- High working speed: up to 10 km/h.



PANORAMA TRIMMER

A VISION OF THE FUTURE

—

The PANORAMA trimmer offers great visibility. It is strong and reliable, with two cutting systems: Panorama with reciprocating cutter bars and Panorama with blades. The PANORAMA trimmer gives exceptional visibility along the row.

Testimonial

In my opinion, the main strength of the PANORAMA trimmer is its simplicity, both technically and visually. No parts stick out of the chassis and safety casing and visibility of the cutting elements is excellent. I can work faster while limiting the risk of hanging on a stump. The hydraulic transmission is simple and especially reliable! The precision of steering in the row is very good, the reduced front overhang allows the machine to be positioned accurately relative to the row.

Frédéric Amourdedieu
Provence region - VILLELAURE - FRANCE

PANORAMA TRIMMER BASICS



USER-FRIENDLY



EFFICIENT



SAFE



Simple construction, optimum visibility



Reduced overhang, ideal for transport and at headlands

USER-FRIENDLY

- Set the working width and height for precise work with a single click.
- The visibility along the row offered by the PANORAMA trimmer means:
 - > higher working speed.
 - > two tools can be used at once, for combined work.
- Electric controls for all functions.
- The sliders help find the optimal working position.

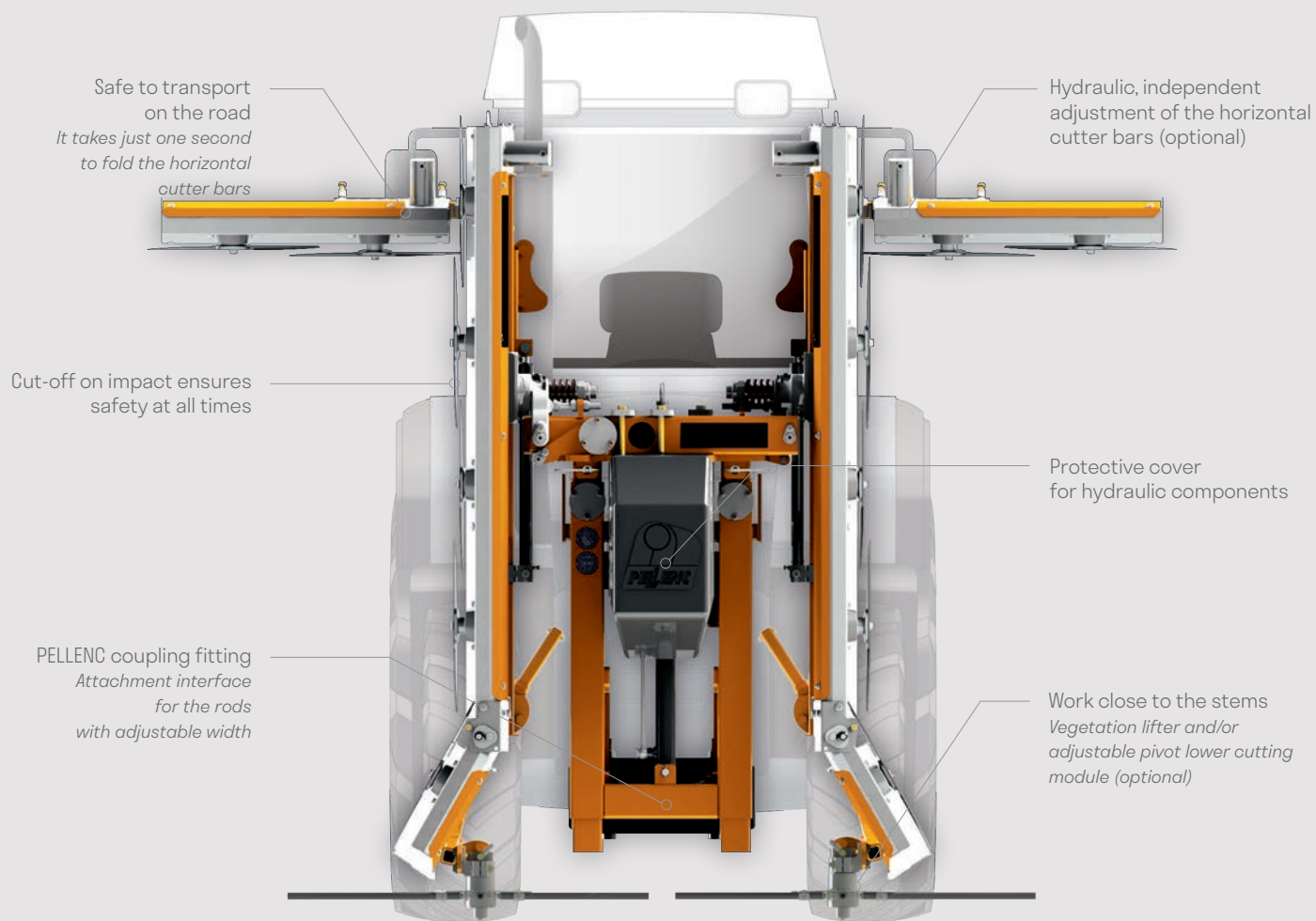
EFFICIENT

- Unobstructed visibility of the rows.
- Quiet.
- No daily maintenance.
- Delivered on a pallet stand.
- Work without fouling.
- Working speed: between 8 and 10 km/hr.

SAFE

- Impact-proof design.
- Meets machine directive 2006/42/EC: no untimely restart of the cutting elements.

PANORAMA 2 X 1/2 ROW





Intuitive controls

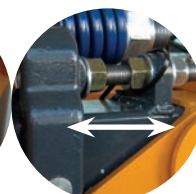
Comes with a multifunction joystick as standard. Single-click control of all the trimmer functions.



Wide range of settings of the PANORAMA chassis for working effectively in all vineyard configurations.



Folding of the horizontal cutting modules without tools for quick and safe road transport.



Pivoting of horizontal and vertical cutter bars.

TECHNICAL FEATURES



	PANORAMA with blades	PANORAMA with blades, without joystick	PANORAMA with reciprocating cutter bars	PANORAMA with reciprocating cutter bars, without joystick	SPRAWL CANOPY trimmer
Cutting width (m) / chassis	Narrow = 1 to 2.14 Wide = 1.18 to 2.83 Extra wide = 1.29 to 2.83	Narrow = 1 to 2.14 Wide = 1.18 to 2.83	Narrow = 0.88 to 2.02 Wide = 1.05 to 2.70	Narrow = 0.88 to 2.02 Wide = 1.05 to 2.70	1 chassis: 0.7 to 2.4
Vertical cutter bars as standard	1.38 m with 4 blades	1.38 m with 4 blades	1.50 m BALT 1500	1.80 m BALT 1800	1.38 m with 4 vertical blades
Vertical bars available as an option	1.72 m with 5 blades	1.72 m with 5 blades	1.80 m BALT 1800	1.50 m BALT 1500	-
Horizontal bars	0.73 m with 2 blades	0.73 m with 2 blades	0.90 m BALT 900	0.90 m BALT 900	0.73 m with 2 blades
Horizontal bars available as an option	-	-	-	-	1.05 m with 3 blades
Manual height adjustment of horizontal cutter bars	•	•	•	•	•
Hydraulic height adjustment of horizontal cutter bars	◦	◦	◦	◦	◦
Manual adjustment of the inclination of the cutter bars	•	•	•	•	•
Manual adjustment of the inclination of the horizontal bars	-	-	-	-	◦
Hydraulic adjustment of the inclination of the horizontal bars	-	-	-	-	•
Coupling fitting and stay-rods	•	•	•	•	•
Delivered on a pallet stand	•	•	•	•	•
Working close to the ground	◦ Fifth lower cutting module (fixed or pivoting)	◦ Fifth lower cutting module (fixed or pivoting)	◦ Vegetation lifter	◦ Vegetation lifter	• Motorised pivoting lower bars: 0.65 m with 2 blades

• Standard equipment ◦ Optional



MULTIVITI TRIMMER

SIMPLE AND FAST

—
The MULTIVITI trimmer is quick and simple to use.
Coupling and uncoupling is done without tools.

Testimonial

The trimmer on the MULTIVITI chassis has the advantage of being controlled by the PELLENC MULTIVITI joystick, which I find ergonomic and easy to use. The drive system is simple and resistant, the machine is low power and low maintenance. I am pleased to say that with the MULTIVITI trimmer I save time in the vineyard and in the workshop!

Christian and Jean-François Ott
Domaine OTT - Château de Selle
TARADEAU - FRANCE

MULTIVITI TRIMMER BASICS



COST-SAVING



EFFICIENT



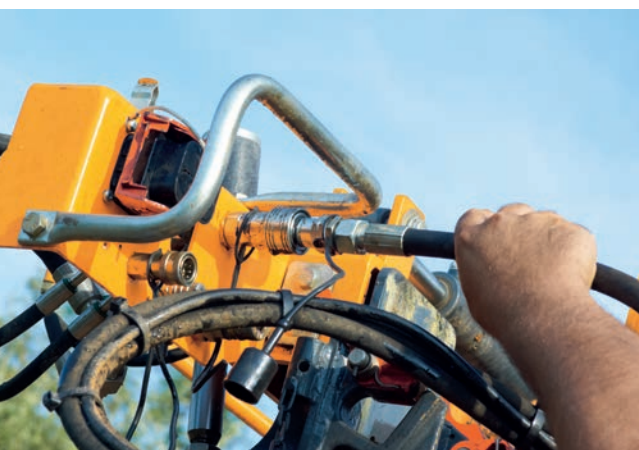
MULTIFUNCTION



SAFE



*Fast and accurate work
in all vineyard configurations*



Quick coupling in three minutes

COST-SAVING

- Very competitive price for the trimmer head, compared to a 2 half-row trimmer.
- Low maintenance costs.

EFFICIENT

- Cuts vine shoots of any diameter.
- Greater range of settings.
- Coupling in three minutes.

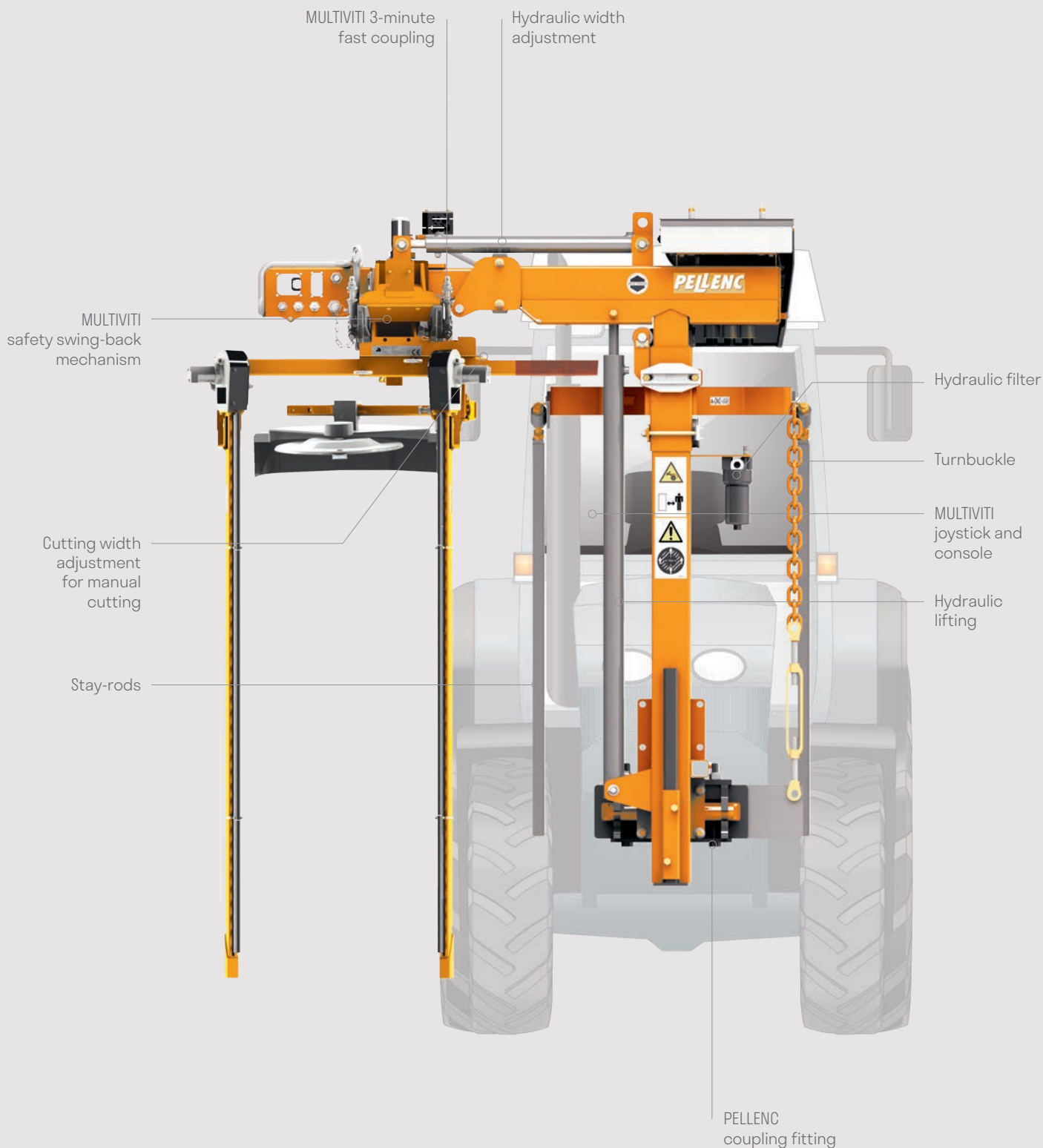
MULTIFUNCTION

- Lightweight tool.
- Quiet.
- Electrical control of all functions from the MULTIVITI chassis console.

SAFE

- Impact proofing on the MULTIVITI chassis.

MULTIVITI TRIMMER





Fast coupling in just three minutes

Hydraulic and electrical connections are fast and located at breast height. Automatic recognition of the tool by the MULTIVITI Joystick.



Intuitive controls

Comes with a multifunction joystick as standard. Single-click control of all the trimmer functions.

TECHNICAL FEATURES



	MULTIVITI with blades	MULTIVITI with reciprocating cutter bars
Cutting width (m)	0.3 to 1	0.3 to 1.2
Standard vertical cutter bars	1.38 m with 4 blades	1.8 m BALT 1800
Option 1 vertical cutter bars	1.72 m with 5 blades	1.5 m BALT 1500
Horizontal cutter bars	1.05 m with 3 blades	0.7 m: 1 évoludisc 700 attachment
Optional horizontal cutter bar	–	1.2 m: 2 évoludisc 600 attachments
Cut-off on impact ensures safety at all times	•	•
Control joystick	•	•
Hydraulic height and angle adjustment	•	•
Manual height adjustment of the horizontal cutter bar	–	•
Hydraulic height adjustment of the horizontal cutter bar	•	–
Coupling fitting and stay-rod	•	•
Delivered on a pallet stand	•	•
Working close to the ground (optional)	Fifth lower cutting module (fixed or pivoting)	–

• Standard equipment ◦ Optional



FRONT-MOUNTED OR BOGIE-MOUNTED TWO-ROW TRIMMER

CUSTOMISED TRIMMING

—

The 2-row topper ensures quality top trimming for your vines thanks to the clean cutting of the rotating blades. The forward or rear positioning of the tool guarantees an excellent view of the row to trim with ease. A narrow model and a wider model are available to effectively meet the needs of all vineyard configurations.

TWO-ROW TRIMMER BASICS



COST-SAVING



EFFICIENT



USER-FRIENDLY



SAFE



Trim at a rate of up to 10 km/h with no fouling!



Quality trimming of 2 full rows

COST-SAVING

- Simple design: reduced maintenance.
- Major financial savings on fuel, labour and use of tractors: fast return on investment in the machine.

EFFICIENT

- Hydraulic adjustment of the working width depending on the thickness of the plant canopy.
- Working speed equivalent to that of a conventional 2-row top trimmer: up to 10 km/h.
- Productivity doubled compared to a conventional 2-half-rows trimmer.
- Trimming and clipping during all vegetation stages, whether greenwood or riper wood.

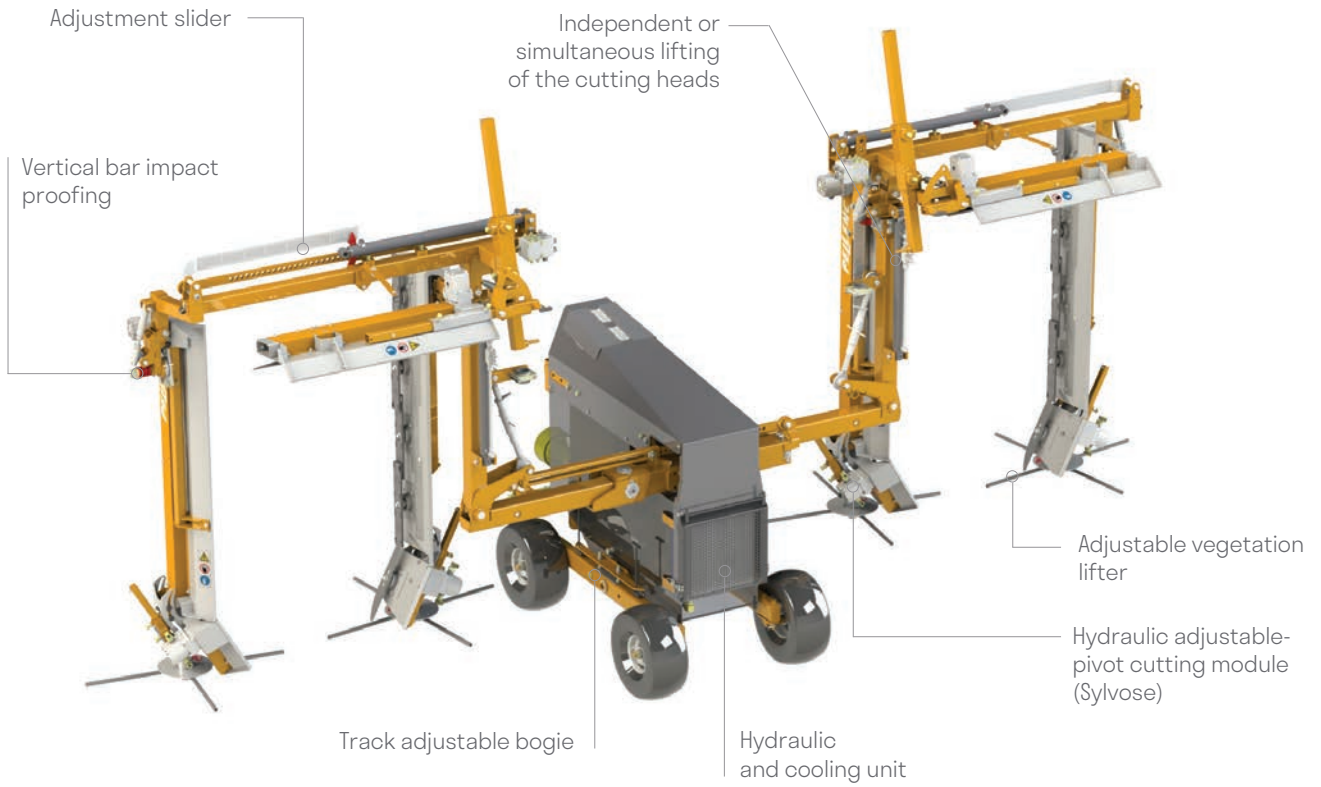
USER-FRIENDLY

- Excellent visibility for the driver.
- Electric control of all functions.
- Reduced overhang for comfort on the road.
- Folding of the horizontal modules without tools.
- Quiet.
- No daily maintenance.
- Optimal working stability.
- The sliders help find the optimal working position.

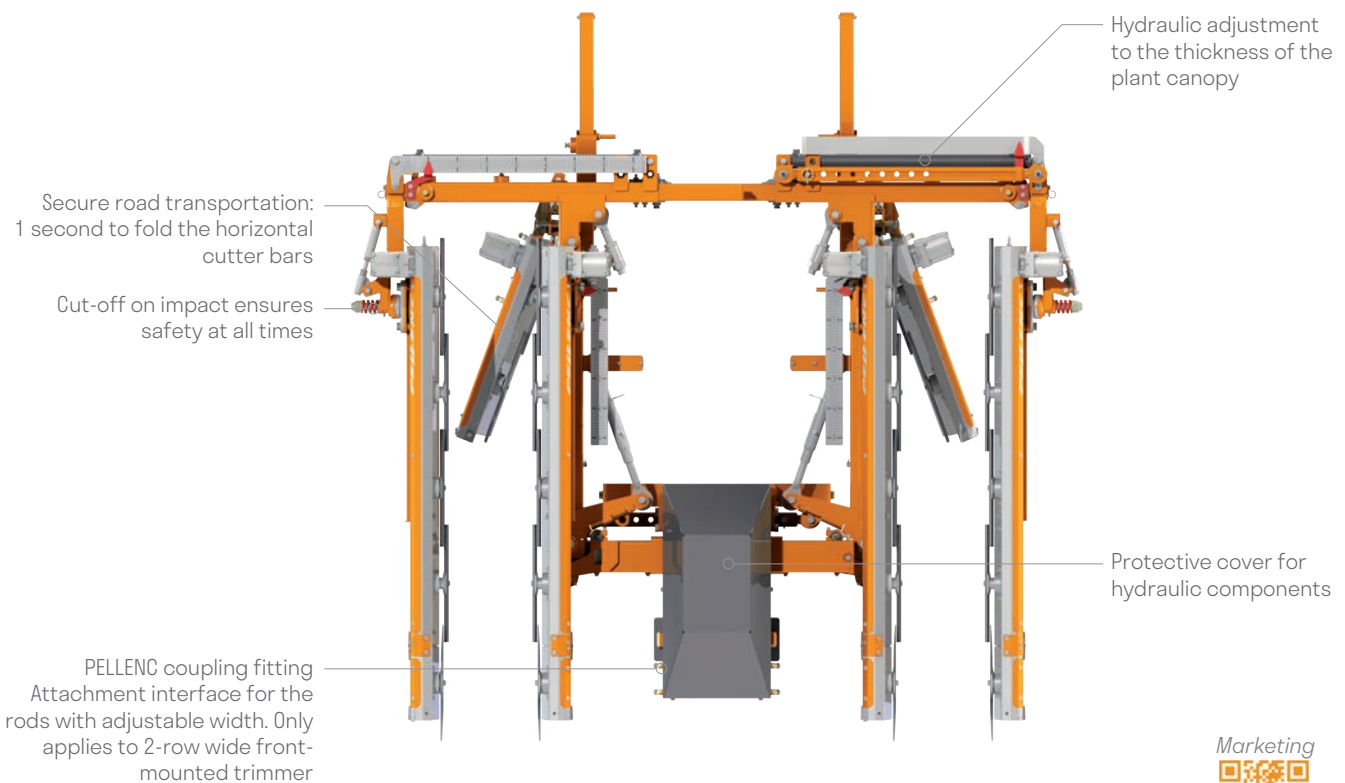
SAFE

- Meets machine directive 2006/42/EC: no untimely restart of the cutting elements.
- Impact-proof design.
- Machine stability: low centre of gravity on the wide model.

2 ROW TRIMMER



2 ROW FRONT-MOUNTED TRIMMER



Marketing



video



Multifunction joystick as standard.
Single-click control of all the trimmer functions.



Excellent view of the row.



Wide model...



... or narrow model for efficient work regardless of the vineyard configuration.

TECHNICAL FEATURES



	Bogie		Front-mounted
	Narrow	Wide	Wide
Cutting width of inner bars (m) / chassis	0.9 to 1.90	1.30 to 2.50	1.30 to 2.50
Cutting width of plant canopy (m)	0.2 to 0.65	0.27 to 0.97	0.27 to 0.97
Bogie with adjustable width (front + rear) (m)	0.87 to 1.22	0.9 to 1.25	-
Double position of the rear wheels of the bogie: interior or exterior	•	•	-
Three coupling points adjustable in length	•	•	-
Electric control on all functions	•	•	•
Hydraulic adjustment of the row width	•	•	•
Hydraulic adjustment of the thickness of the canopy	•	•	•
Hydraulic adjustment of the height of the cutting heads	Simultaneous	Independent	Independent
Vertical bars with blades	1.38 m (4 blades)	1.38 m (4 blades)	1.72 m (5 blades)
Horizontal cutter bars with blades	730 mm (2 blades)	1,050 mm (3 blades)	730 mm (2 blades)
Optional horizontal cutter bars with blades	-	-	1,050 mm (3 blades)
Impact proofing on the vertical bars	•	Exterior bars	Exterior bars
Protective grille	•	•	-
Hydraulic cooler	•	•	-
Hydraulic unit	-	•	-
Retractable top trimmer for transport position	•	•	•
1 3/8" shaft (only on wide bogie)	-	○	-
Two extra pairs of 320 blade modules	○	○	○
Two pairs of tilting 320 blade modules	-	○	○
Two pairs of hydraulic tilting 320 blade modules	-	○	○
Hydraulic adjustment of toppings	-	○	○
Hydraulic tilt adjustment	-	○	○
Two pairs of steerable vegetation lifters	-	○ for 2.50 m vines min.	○
Manual height adjustment of horizontal cutter bars	•	•	•
Hydraulic height adjustment of horizontal cutter bars	-	○	○
Hydraulic adjustment of the angle of the cutting heads	-	○	○
Coupling fitting and stay-rods	-	-	•

- Not available • Standard equipment ○ Optional



OPTIMUM TRIMMER

COMFORT AND PRODUCTIVITY

—

The combination of the OPTIMUM's comfort with the blade cutter bars ensures unparalleled productivity. The automated opening-folding controls make it easy to drive for anyone, in complete safety.

OPTIMUM TRIMMER BASICS



CLEAN CUTTING



USER-FRIENDLY



EFFICIENT



SAFE



CLEAN CUTTING

- High rotational speed of the blades.
- Work without fouling.
- Quiet.
- Strength of hedge trimmer blades.
- One-piece, stainless steel cutter bar.

USER-FRIENDLY

- Perfect visibility over the row and the cutter bars.
- Control of commands from EASY TOUCH: intuitive icons for anyone to use.

EFFICIENT

- Working width adjusted from the cab.
- Toppings fold back automatically to make headlands easier.
- Ground speed of up to 10 km/hour.
- Automated folding/unfolding system combined with starting the blades.
- Option of single-row working.
- Setting road position without getting down from carrier.

SAFE

- Stable carrier working position.
- Perfect control of hydraulic hoses when moving.
- Impact proofing on the vertical cutter bars.
- “Driver present” safety device with seat sensor in OPTIMUM carrier.

TECHNICAL FEATURES

	OPTIMUM 2 ½ row
Cutting width	1.25 m - 2.75 m
Automatic width adjustment	•
Independent hydraulic height adjustment of the top trimmers	•
Hydraulically retractable top trimmer	•
Automated folding system	•
Road gauge	2.60 m
Length of vertical cutter bars	1,380 mm (4 blades)
Two pairs of additional blades	1,695 (5 blades)
Length of horizontal cutter bars	725/1,375/725 mm

- Standard equipment





47 YEARS OF INNOVATION

1,169 REGISTERED PATENTS

PRIZES AND AWARDS

2019	OPTIMUM COMBINED MULTIFUNCTION	SITEVI: <i>Silver medal</i>
2018	VINION	OENOVIDÉO FESTIVAL REWARDS: <i>Best technical film prize for: "Sécateur VINION, la nature est votre moteur" [VINION pruning shears, driven by nature]</i>
2017	EXPAND R5090 PRUNION & VINION	SITEVI: <i>Silver medal</i> FIERA AGROALIMENTARE MEDITERRANEA: <i>1st prize for agricultural mechanisation, innovation, and safety</i>
2016	PRUNION & VINION	ENOVIS: <i>Technological Innovation Award</i>
2015	PRUNION VINION	SITEVI: <i>Silver medal at the Innovation Awards</i> SITEVI: <i>Silver medal</i>
2014	<u>MAJOR COMPANIES AWARDS</u> SELION G21 HD	FRENCH MINISTRY: <i>Environment & Business Awards 2014 in the Eco-Product for Sustainable Development category</i> EIMA - FEDER UNACOMA: <i>Commendation for "New Technologies"</i>
2013	SELECTIV' PROCESS WINERY	INTERVITIS: <i>Gold medal</i>
2012	<u>ZERO EMISSION CONCEPT</u> EXTRACTIV' 2	SALON VERT: <i>Sustainable Development Award</i> EDGE: <i>Sustainable Development Award</i> VINITECH: <i>Bronze medal</i>
2011	<u>BATTERY POWER TOOLS RANGE</u> POLY 5 SELION M12 FIXION SELECTIV' PROCESS WINERY	EXPOLIVA: <i>Jury's commendation</i> DEMOPARK: <i>Gold medal</i> AGRILEVANTE: <i>Technical Innovation Award</i> SIVAL: <i>Commendation</i> SITEVI: <i>Gold medal</i> SITEVI: <i>Commendation</i>
2010	SELION M12 SELECTIV' PROCESS WINERY	VINITECH: <i>Bronze medal</i> VINITECH: <i>Commendation</i>
2009	SELION G21 HD	SMCL Exhibition for French Mayors and Municipalities <i>Innovation Award</i>
2008	SELION POLE SELECTIV' PROCESS VISION 2	FOREXPO: <i>Distinction for "Safety and Working Conditions"</i> VINITECH: <i>Silver medal</i>
2007	VISIO SELECTIV' PROCESS VISION 2 PRECISION PRUNING TRELLISING MACHINE	SITEVI: <i>Gold medal</i> VINITECH: <i>Silver medal</i> SITEVI: <i>Gold medal</i> SITEVI: <i>Gold medal</i>

Distributor's stamp

PELLENC



www.pellenc.com

NATURE IS OUR DRIVER.

PELLENC • Quartier Notre-Dame • Route de Cavaillon • 84120 Pertuis • France
Tel.: +33 (0) 4 90 09 47 00 • Fax: +33 (0) 4 90 09 64 09 • E-Mail: contact@pellenc.com

Member of the French Union of
Manufacturers of agricultural equipment,
the Independent Winegrowers of France
and the Network of Agricultural Users
Equipment Cooperatives

